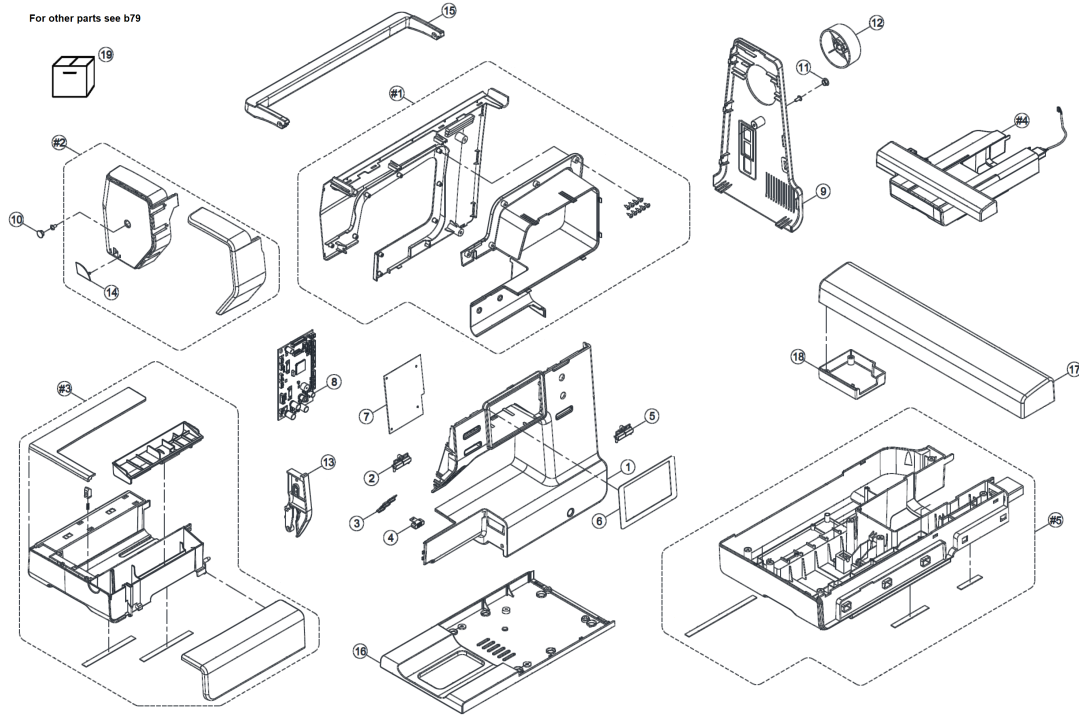




Spare Parts

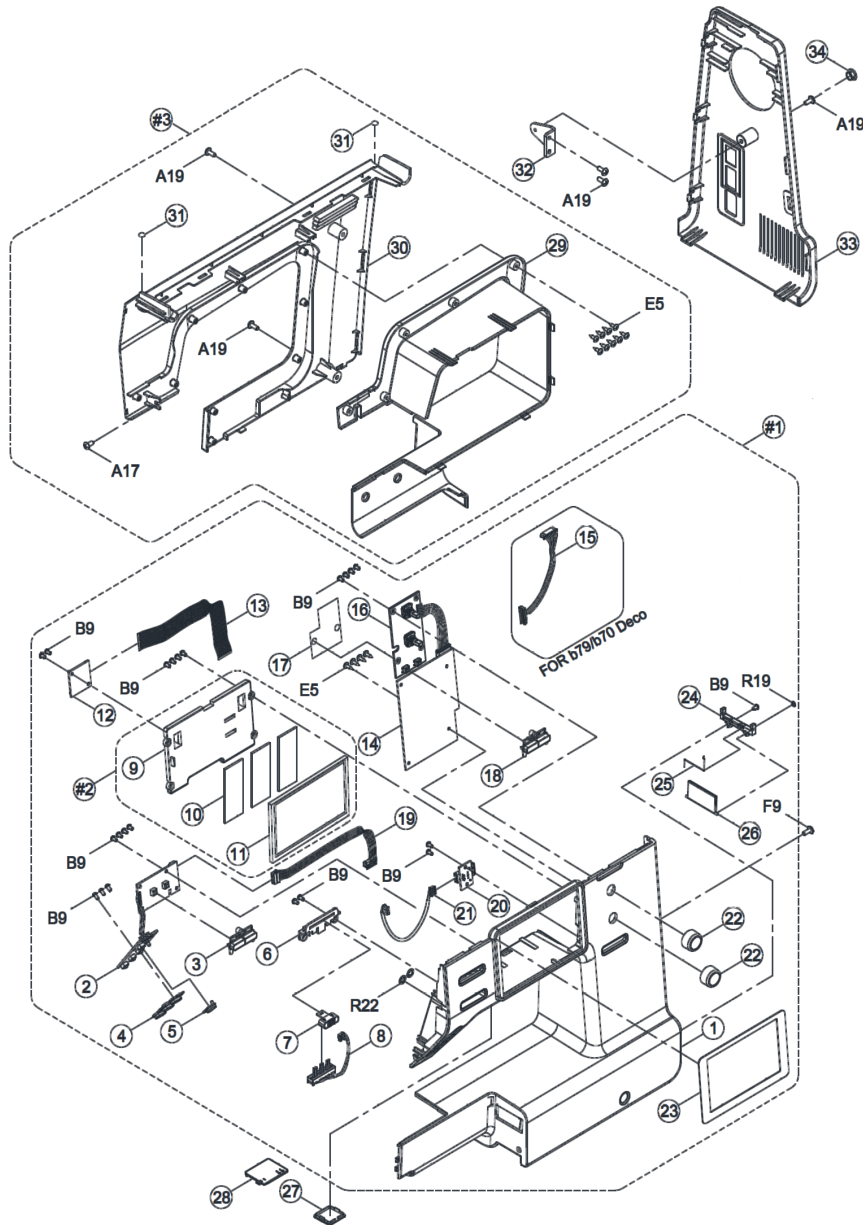
b79

b79



b79 SE Yaya Han

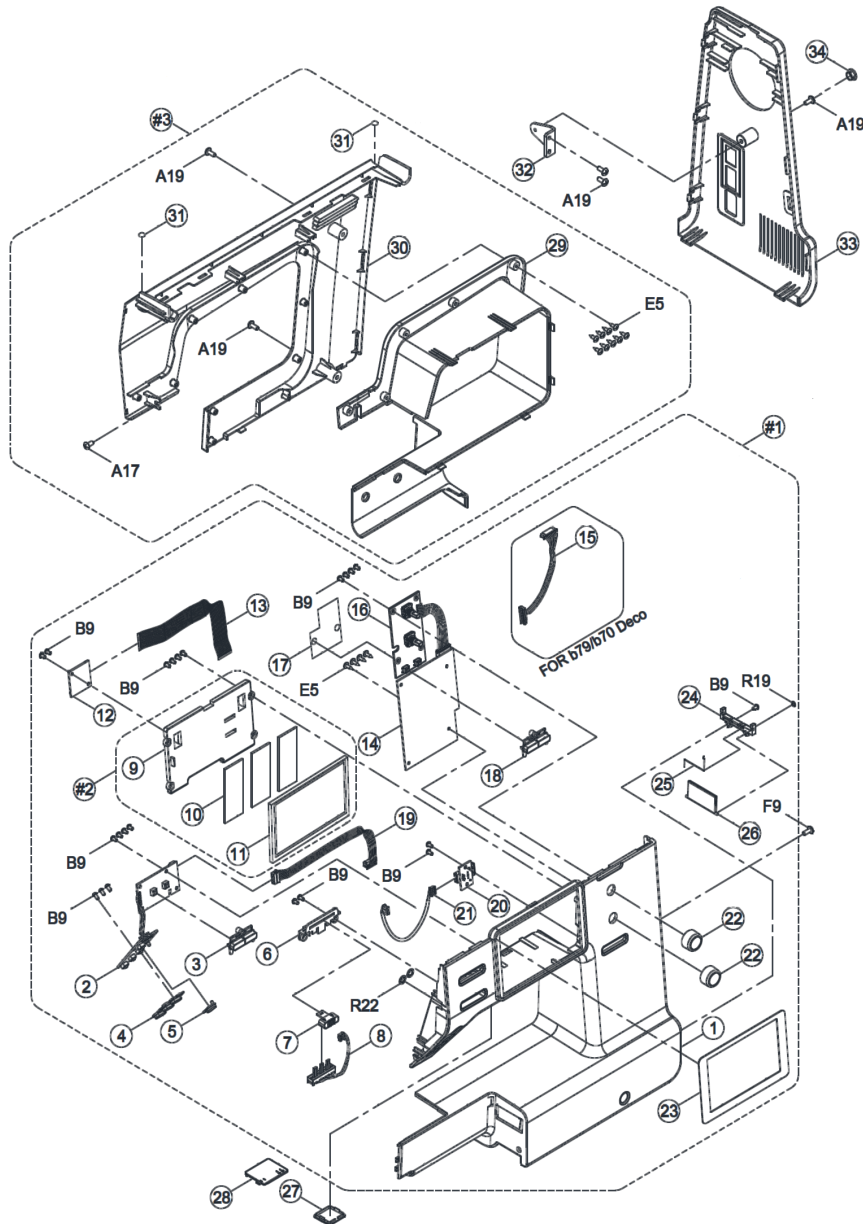
Pos	Item number	Description	Supplier Part no.
-1	5020210459	Back Cover cpl White	CJBB024892
-2	5020210465	Face Cover cpl b79SE	CJBF044892
-3	5020210469	Sewing Table cpl b79SE	CJBA224892
-4	5020210474	Embroidery Unit cpl b79SE	CJB0874892
-5	5020210471	Embroidery Base Assembly b79SE	CJBZ265892
1	5020210452	Front Cover b79SE	CJBC043892
2	5020210453	Needle Position Button	CJBN093892
3	5020210454	Function Select Button	CJBN103892
4	5020210455	Speed Adjustment Knob	CJBA213892
5	5020210456	Function Button	CJBN083892
6	5020210457	Touch Panel Cover b79SE	CJBP023031
7	5020210458	I/O Board b79SE	008CJB0034
8	5020210470	Main Circuit Board b79SE	008CJB0035
9	5020210460	Belt Cover Violet	CJBA063623
10	5020210461	Caps White	E9R0803892
11	5020210462	Caps Violet	E9R0803623
12	5020210463	Hand Wheel Violet	CJBZ253623-01
13	5020210464	Tension Support Cover b79SE	CJBZ203623
14	5020210466	Thread Cutter Cover White	E9R0653892-01
15	5020210467	Handle Violet	CJBZ173623
16	5020210468	Base Cover b79SE	CJBZ143623-03
17	5020210472	Vertical Shaft Cover Violet	CJBZ293623
18	5020210473	Vertical shaft under cover Violet	CJBZ303623
19	5020210442	Color carton b79 SE	



Pos	Item number	Description	Supplier Part no.
-1	5020209931	Front Cover b79 kpl	CJBC014892
-2	5020209981	TFT Module cpl	CJB0785000
-3	5020210383	Back Cover Body	CJBB014698
1	5020209382	Front Cover	CJBC013892
2	5020209384	Key Switch Board	008CJA0005
3	5020209385	Needle position Button	CJBN033892
4	5020209387	Function Select Button	CJBN023892
5	5020209389	START/STOP PUSH BUTTON	CJBN013031
6	5020209391	Slide Vol Knob Connector	P3C0573210
7	5020209392	Slide Volume Knob	CJBA033892
8	5020209393	Slider	008CJB0020
9	5020209394	TFT Fixed Holder	CJBZ343892
10	5020209395	EVA	025H7B0004
11	5020209396	TFT Module	008CJA0003
12	5020209397	FPC Conversion Board	008CJB0003
13	5020209398	FPC Line	008CJB0004
14	5020209399	I/O Board b79	008CJA0016
15	5020209402	Connector Cable	008CJA0017
16	5020209403	XY Needle Displacement Board	008CJB0006
17	5020209425	Insulating Slice	008CJB0024
18	5020209404	Function Select Button	CJBN043892
19	5020209406	Line	008CJB0002
20	5020209407	USB Conversion Board	008CJB0005
20	5020209947	USB BOARD	008CJB0005-01
21	5020209408	USB Cable	008CJA0018
22	5020209409	Stitch Length Dial cpl	CJBZ075892
23	5020209410	Touch Panel Cover	CJBP013031
24	5020209411	D Type Frame	CJBZ353892
25	5020209412	D Type Spring	CJB0143000
26	5020209413	D Type Plate	CJBZ063892
27	5020209415	Light Cover	CAA1093031
28	5020209416	Needle Plate Cover	CJBA013031
29	5020209417	Back Cover Body	CJBZ093892
29	5020210383	Back Cover Body	CJBB014698

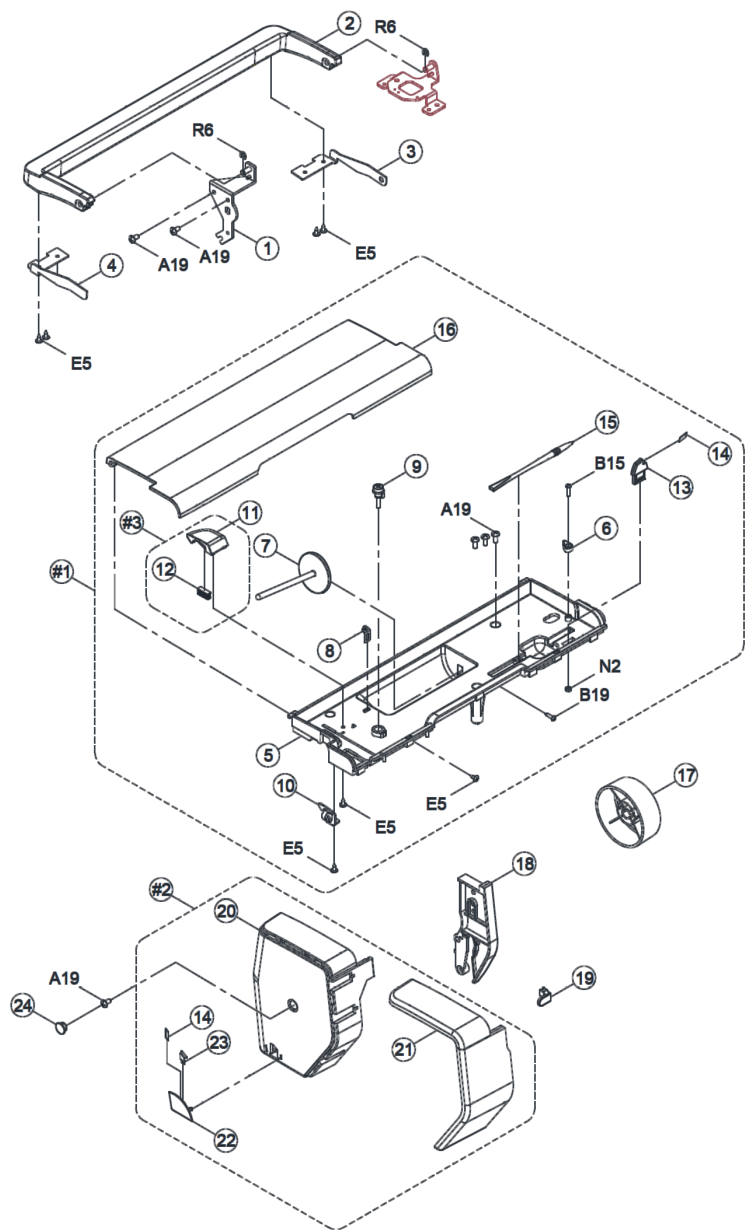
b79

Covers 1



Pos	Item number	Description	Supplier Part no.
30	5020209418	Back Cover	CJBB013698
31	5020209420	Spacer	D6B0783000
32	5020209421	Belt Cover Board	CJB0033000
33	5020209422	Motor Drive Belt Cover	CJBA063698
34	5020209453	Caps	E9R0803698
A17	5020210406	SET SCREW (M4x6 A)	004241036
A19	5020206112	Screw (M4*0.7*L8)	004240106
B9	5020209390	Screw (M3*0.5*L6)	004230086
E5	5020209419	Screw (M3*0.5*L8.5)	004230216
F9	5020208929	Screw (M4*0.7*L8) (SET OF 10)	004240586
R19	5020209414	Ring (CSTW-3, □2.8*□8*0.25)	003020033
R22	5020208142	Ring (CSTW-5, □4.8*□10*0.25)	003020053

b79

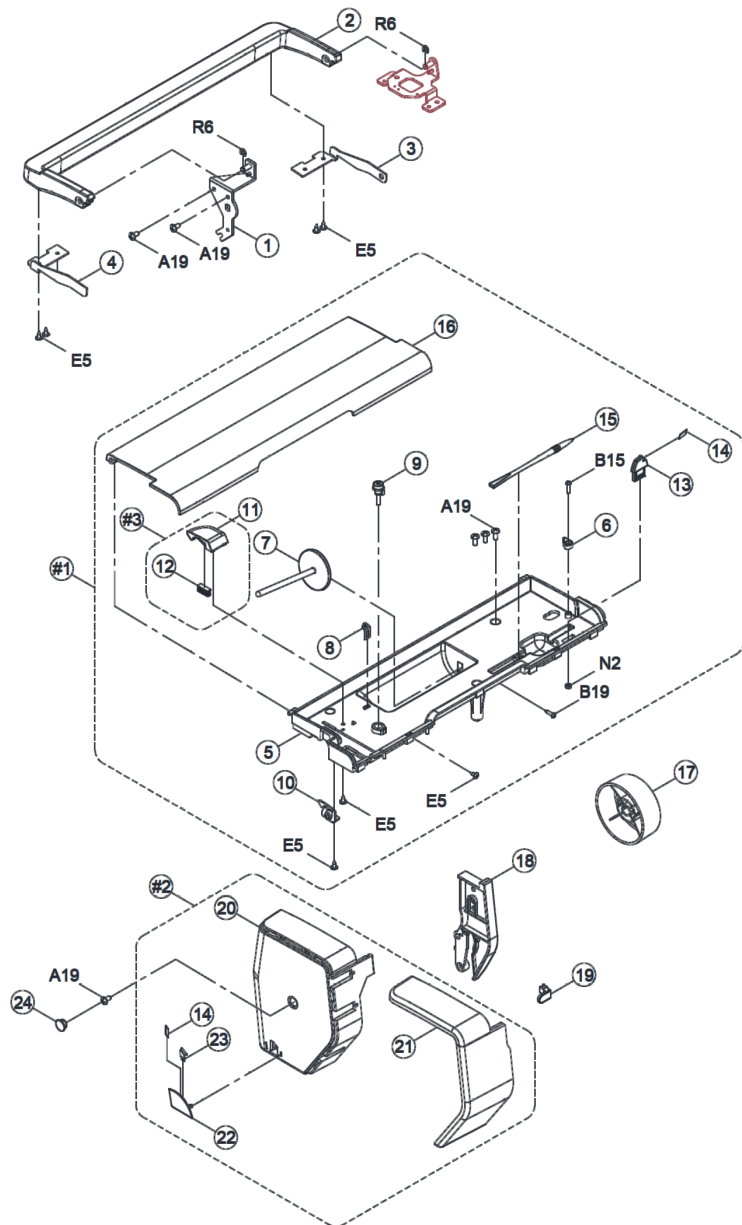


Covers 2

Pos	Item number	Description	Supplier Part no.
-1	5020209921	Arm top cover cpl	CJBA044892
-2	5020209922	Face cover cpl	CJBF014892
-3	5020209454	Guide Cover cpl	CJBZ445892
1	5020209426	Handle Bracket cpl	CJB0055000
2	5020209427	Handle	CJBZ173892
3	5020209428	Handle Plate (Right)	CJB0163000
4	5020209429	Handle Plate (Left)	CJB0173000
5	5020209431	Arm Top Cover	CJBA043892
6	5020209432	Bobbin Winder Stopper	CAA1013000
7	5020209435	Spool Rod	CHAZ193892
8	5020209437	Thread Guide	H1B0603001
9	5020210407	Bobbin Winder Thread Guide cpl	CJB0624000
10	5020209438	Pre-Tension Thread Guide	CJB0155000
10	5020210502	Pre-tension Thread Guide cpl	CJB0155000-01
11	5020209439	Guide Cover	CJBZ443892
12	5020209440	Brush	CJB0533000
13	5020209441	Cutter Holder	CAA0983892
14	5020210209	Cutter	V630593000
15	5020209320	Touchscreen Pen	S2A0083698
16	5020209443	Top Cover	CJBZ153892
17	5020209444	Hand-Wheel	EJBZ253698
17	5020210438	Hand wheel	CJBZ253698-01
18	5020209445	Dial Tension Supporter Plate Cover	CJBZ203892
19	5020209446	BH Lever Button	CJBA023429
20	5020209447	Face Cover	CJBZ183698
21	5020209448	Face Decoration Cover	CJBF013892
22	5020209451	Thread-Cutter-Cover	E9R0653698
22	5020210439	Thread cutter cover	E9R0654698-01
23	5020210055	Thread cutter fragment	E9R0103001
24	5020209453	Caps	E9R0803698
A19	5020206112	Screw (M4*0.7*L8)	004240106
B15	5020209434	Screw (M3*0.5*L10)	004230316
B19	5020209436	Screw (M3*0.5*L12.7)	0042300706
E5	5020209419	Screw (M3*0.5*L8.5)	004230216

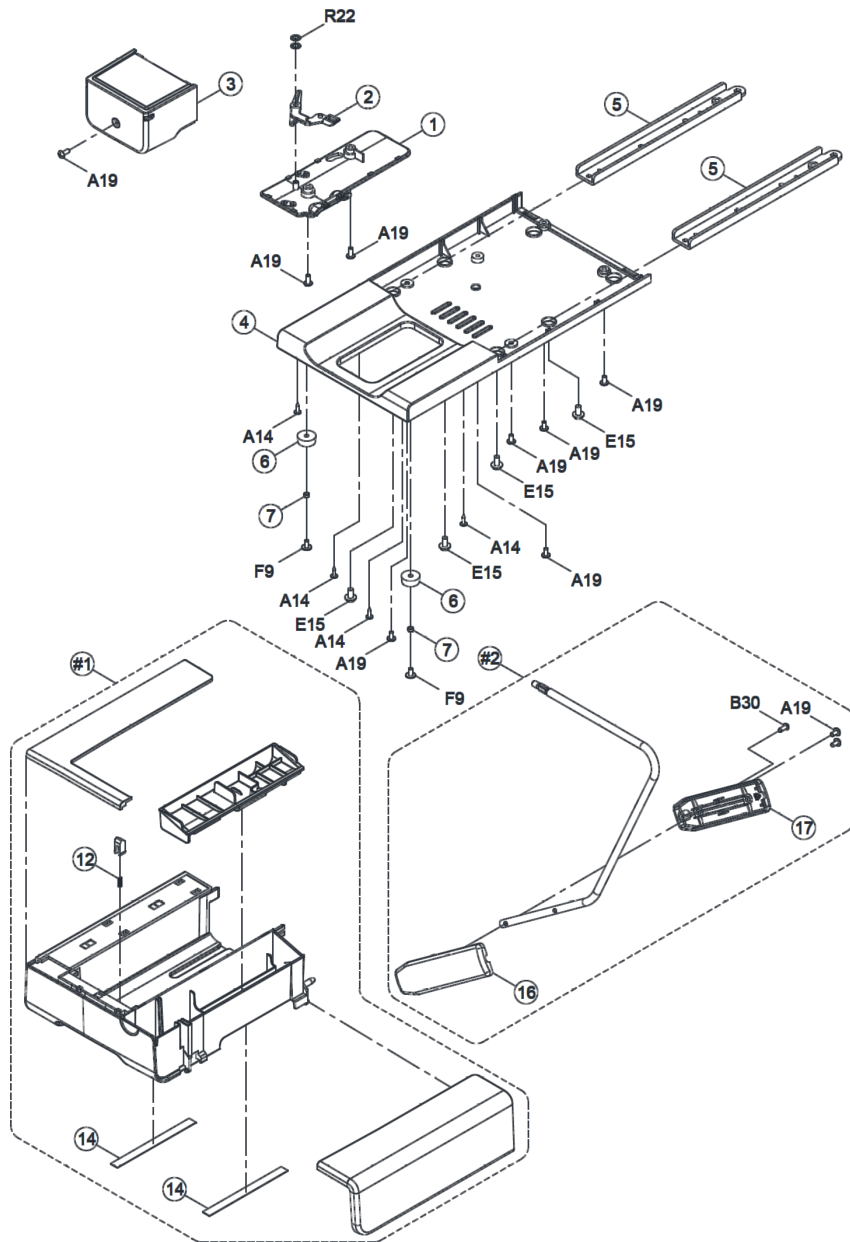
b79

Covers 2



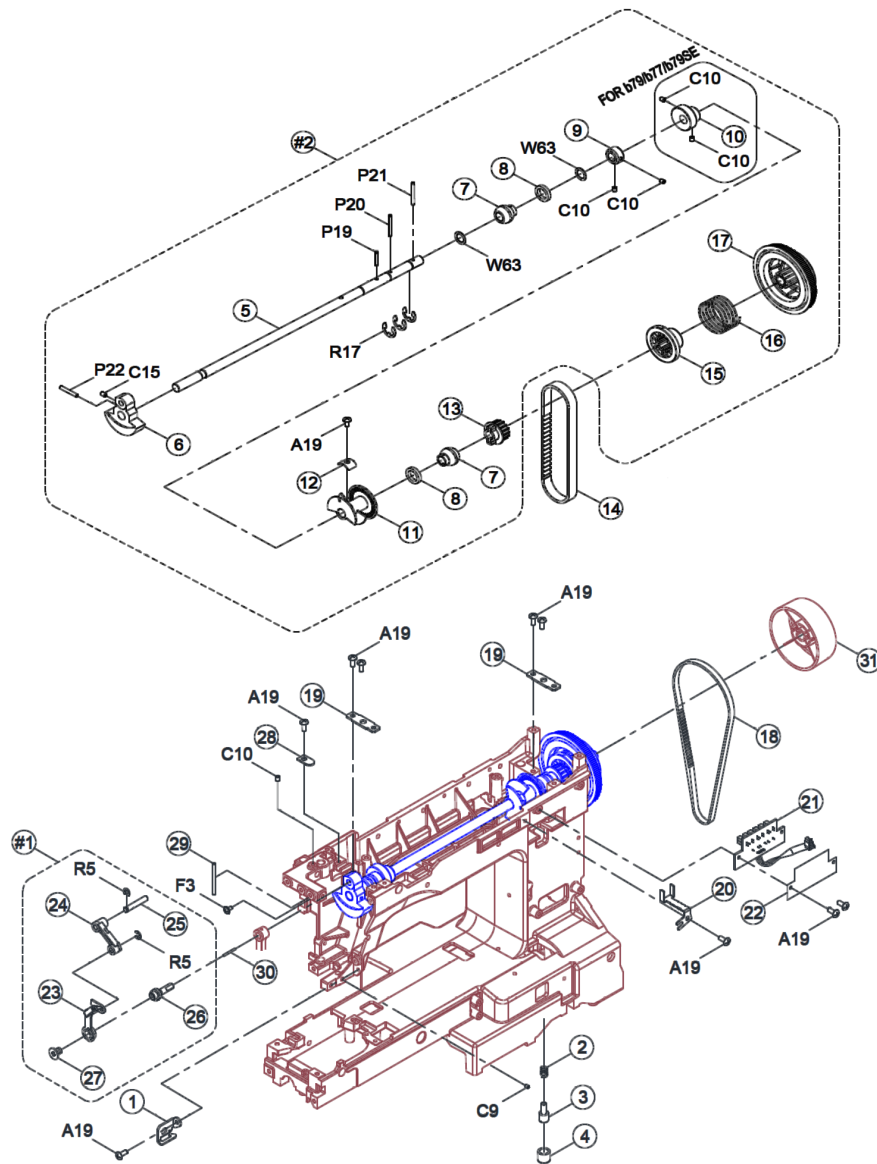
Pos	Item number	Description	Supplier Part no.
N2	5020209626	Nut (M3*0.5*2.3)	004830016
R6	5020207868	E-Ring (ETW-4, □4*□9*0.6)	003010043

Covers 3



Pos	Item number	Description	Supplier Part no.
-1	5020209463	Sewing Table cpl	CJBA054892
-2	5020209315	Knee Lever cpl	R1A2064892
1	5020209455	Free Arm Base Plate	CJBZ113892
2	5020209456	Feed Dog Lever	CJA1053000
3	5020209457	Free Arm Cover	CJBZ123892
4	5020209458	Base Cover	CJBZ143698
5	5020209459	Free Arm Foot	CJA0393006
6	5020209460	Free Arm Base Cushion Rubber	F31453000
7	5020208930	Free Arm Base Cushion	H1A0583003
12	5020209122	Spring	H10143003
14	5020208033	Sewing Table Body Felt	D5A0483000
16	5020209465	Knee Club Stem (1)	R1A2083892
17	5020209466	Knee Club Stem (2)	R1A2093892
A14	5020209462	Screw (M3*0.5*L10)	004230606
A19	5020206112	Screw (M4*0.7*L8)	004240106
B30	5020206114	Screw (M4*0.7*L10)	004240306
E15	5020206118	Screw (M5*0.8*L10)	004250346
F9	5020208929	Screw (M4*0.7*L8) (SET OF 10)	004240586
R22	5020208142	Ring (CSTW-5, □4.8*□10*0.25)	003020053

Upper shaft

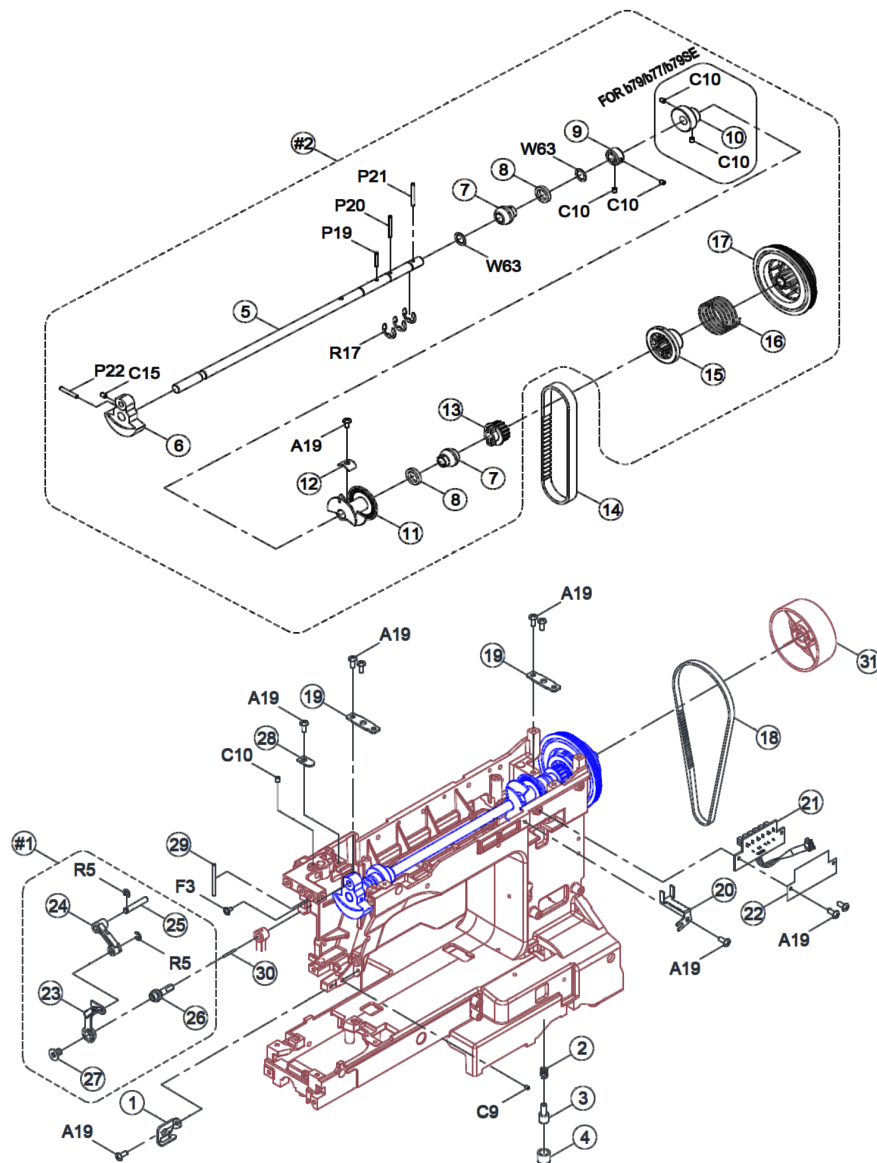


Pos	Item number	Description	Supplier Part no.
-4	5020209492	Thread Take-Up Lever cpl	Q6D0364000
-1	5020210408	THREAD TAKE-UP LEVER CPL.	CJB0094000
-2	5020210371	Upper Shaft b77/b79 cpl	CJA0414000
1	5020209468	Arm Thread Guide Plate	CJB0443001
2	5020205826	Spring	E1A2573006
3	5020205867	Base Plate Adjustment Screw	K82133006
4	5020209377	Free Arm Base Cushion Rubber	K6A0063002
5	5020209470	Arm Shaft	CJA0413000
6	5020209471	Arm Shaft Balance	Q6D0713000
7	5020209473	Arm Shaft Bushing	CJA0423000
8	5020209735	Felt Seal 12.7*18.7*T 3.5 Mm	R1A2823000
9	5020209474	Arm Shaft Collar	CAA0663003
10	5020209475	Shank Cam	CAA0653000
11	5020209476	Rotary Sensor Collar	H1A0743582
12	5020209477	Set Plate	D3A0043002
13	5020209478	Arm Shaft Sprocket	H1A0403000
14	5020209479	Belt	0074505KC1
15	5020207286	Arm Shaft Collar	D5A0583000
16	5020207285	Arm Shaft Clutch	D5A0573003
17	5020209124	Arm Shaft Driver Belt Pulley	H1A0103000
18	5020209482	MOTOR DRIVE BELT	00751602M5
19	5020209483	Arm Shaft Bushing Holder Plate	CFA0033003
20	5020209484	Electric Wire Press Board	CJA1903003
21	5020209485	Photo Sensor cpl	008CJA0025
22	5020209486	Insulating Slice	008CJA0034
24	5020205829	Thread Take Up Lever Supporter	E1A2653000
25	5020206077	Thread Take Up Lever Supporter	V60223003
28	5020209777	Gasket	H13093003
29	5020209488	PRESSER BAR BRACKET SHAFT	CJA1393000
30	5020210062	Oil cotton	Q6D0123000
34	5020209444	Hand Wheel	GJBZ253698
31	5020210438	Hand wheel	CJBZ253698-01
A19	5020206112	Screw (M4*0.7*L8)	004240106
C9	5020206116	Screw (M4*0.7*L4)	004240503

b79

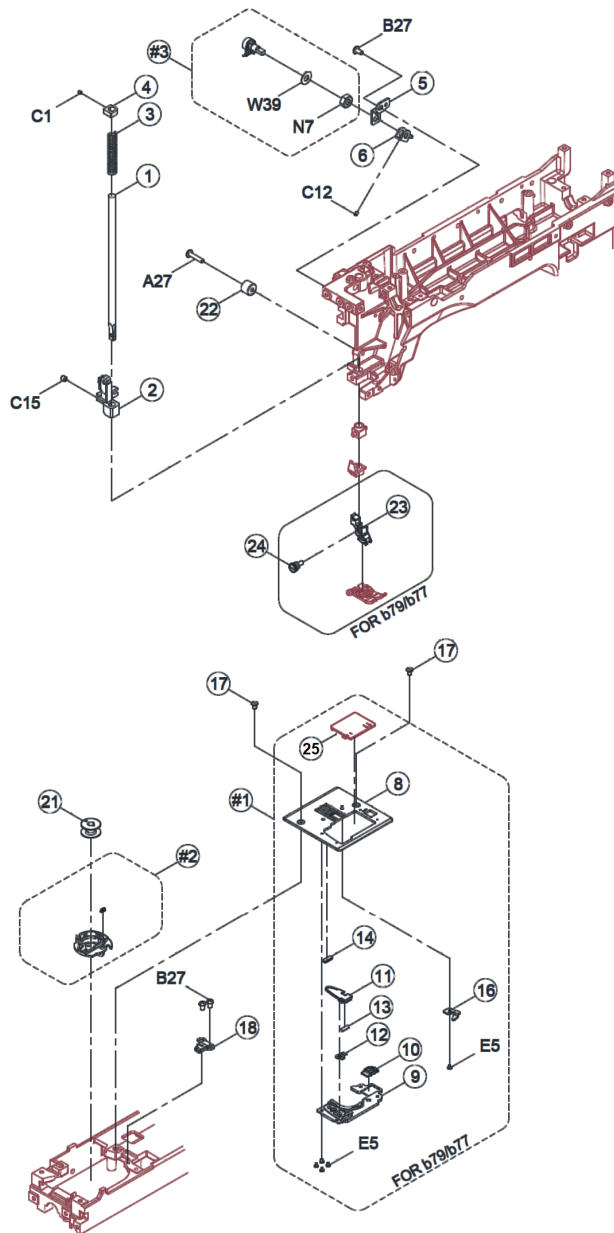
Upper shaft

Pos	Item number	Description	Supplier Part no.
C10	5020206108	Screw (M4*0.7*L5)	004240033
C15	5020206117	Screw (M5*0.8*L5)	004250203
F3	5020209647	Screw (M3*0.5*L6)	004230816
J3	5020209491	Screw (M4*0.7*L6.5)	0042415308
P19	5020209481	Spring Pin ($\square 3 \times L18 \times 0.6$)	003043018
P20	5020209105	Spring Pin ($\square 3 \times L28 \times 0.6$)	003043028
P21	5020209106	Spring Pin ($\square 3 \times L30 \times 0.6$)	003043030
P22	5020206336	Pin ($\square 3.5 \times L24 \times 0.75$)	003043524
R5	5020206095	E-Ring (ETW-3, $\square 3.2 \times \square 7 \times 0.6$)	003010036
R17	5020209836	E-Ring (ETW-9, $\square 9 \times \square 18 \times 0.8$)	003010093
W63	5020209472	Washer ($\square 10.2 \times \square 15 \times 0.5$)	004400080



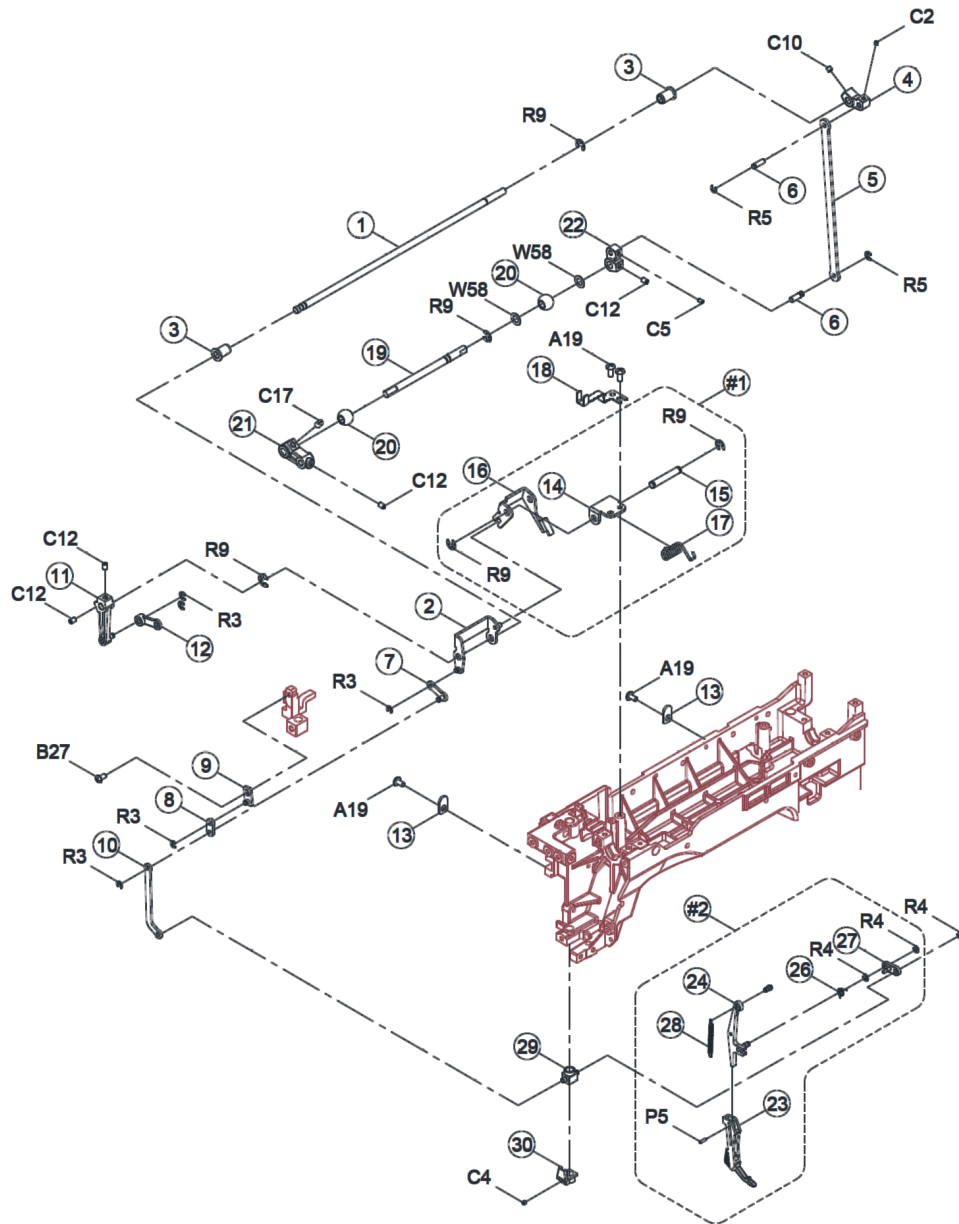
b79

Presser foot bar



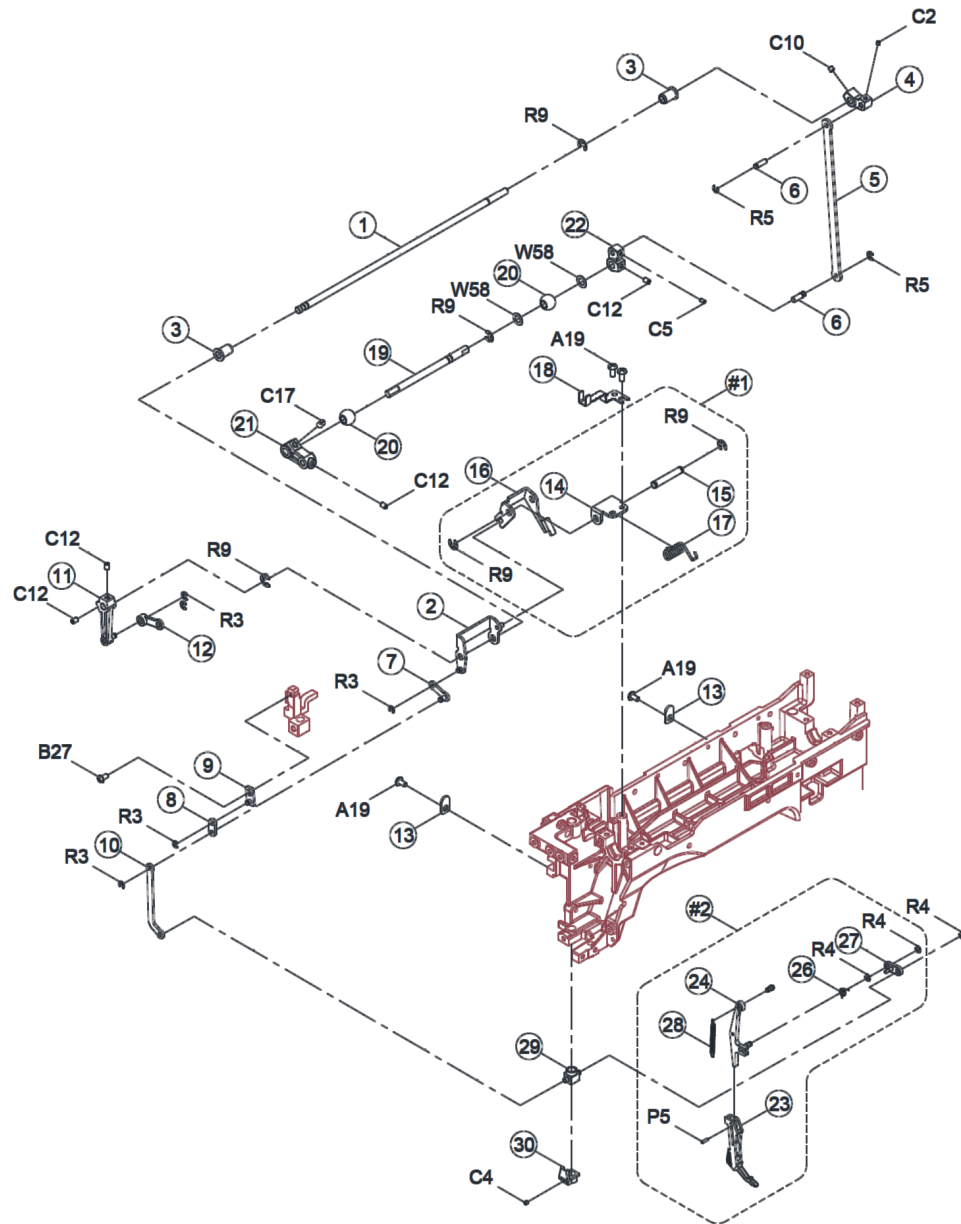
Pos	Item number	Description	Supplier Part no.
-1	5020209918	Needle Plate b77/b79	CJBA014000
-2	5020209511	Bobbin case	CJA0244000
-3	5020209499	Presser Bar Position Control cpl	008CJA0038
1	5020209493	Presser Bar	R1A0163002
2	5020209494	Presser Bar Bracket	CJA0773000
3	5020209495	Presser Bar Spring	CJA1353003
4	5020209496	Presser Bar Lifter Stopper	CJA0783000
5	5020209498	VR Fixed Plate	CJA0543006
6	5020209712	Rotate Drive Crank cpl	CJA0525000
8	5020209500	Needle Plate	CJA1873004
9	5020209503	NEEDLE PLATE SUPPORTER	CJBA163582
10	5020209505	Needle Plate Cover Open	Q6G0113582
11	CJBA173582	Thread Guide Stand	
12	5020209507	Press Plate	H7B0073000
13	5020210209	Cutter	V630593000
14	5020209508	Lower Threader Cutter Brush	H7A0033000
16	5020209983	Downholder	H7A1283002
17	5020210409	Screw	0042415801
18	5020209510	Bobbin Case Plate (2) cpl	CJBA134000
24	5020208184	Bobbin 1 Pc Unpacked	006H1B0004
21	5020209311	BOBBINS 10 PCS. PACKED	U2-FS3-069
22	5020209512	Presser Bar Lifter Lever	CJB0043000
23	5020209514	Presser-Foot Holder	CJA1705000
23	5020210440	Presser foot holder	CJA1705000-02
24	5020209515	Shank Set Screw	R1A2573001
25	5020209416	Needle Plate Cover	CJBA013031
A27	5020209513	Screw (M4*0.7*L15)	004240466
B27	5020206110	Screw (M4*0.7*L6)	004240056
C1	5020209755	Screw (M3*0.5*L3)	004230433
C12	5020206113	Screw (M4*0.7*L6)	004240223
C15	5020206117	Screw (M5*0.8*L5)	004250203
E5	5020209504	Set Screw (M2*0.4*L3)	0042200016
N7	0048700108	Nut (M7x0.75 t=2.1)	
W39	0043002908	Washer (7.2x12x0.4)	

Dual Transport



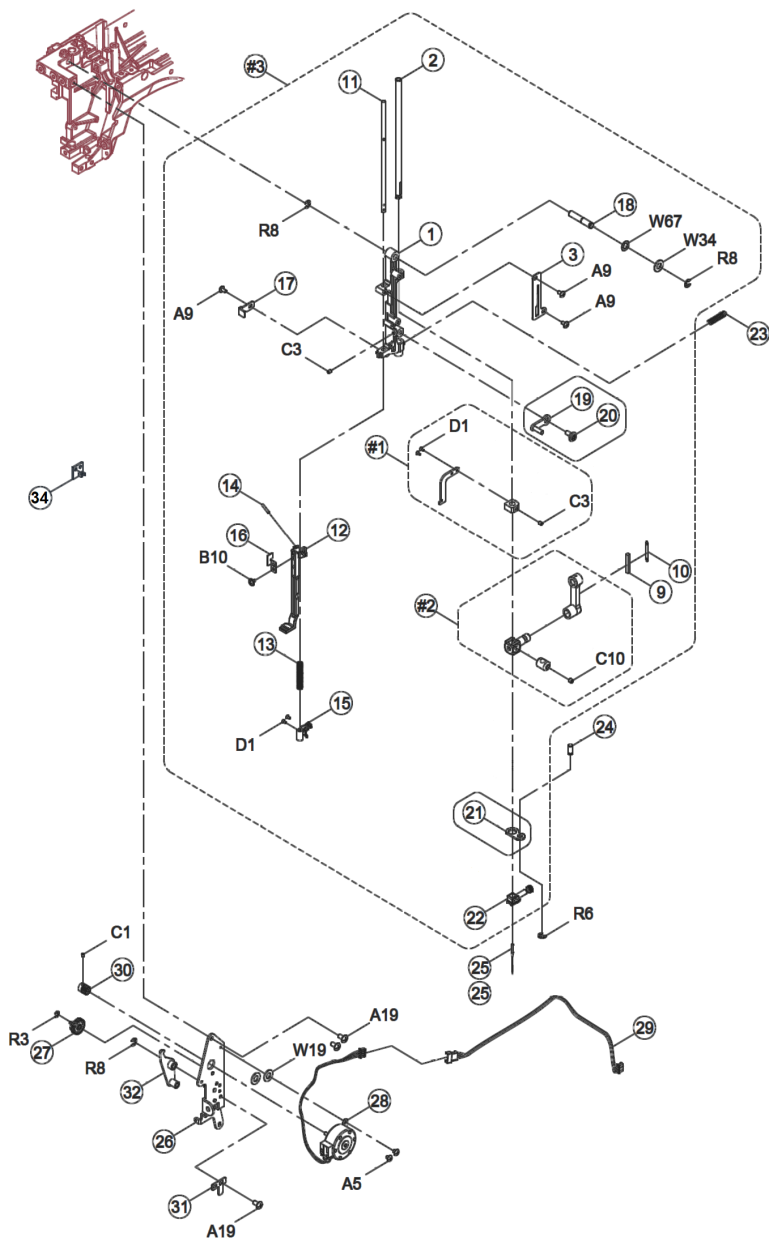
Pos	Item number	Description	Supplier Part no.
-1	5020209551	FEED SUPPORTER COMPLETE	CJA1204000
-2	5020209552	DUAL FEED SHANK COMPLETE	CAA0224000
1	5020210411	FEED SHAFT	CJA0803000
2	5020209517	FEED CRANK COMPLETE	CAA0175003
3	5020209518	FEED ROCK BUSHING	CJA1503000
4	5020209519	FEED CRANK	CAA0243000
5	5020209520	FEED ROD	CAA0113003
6	5020209521	PIN	CAA0123000
7	5020209523	FEED LEVER COMPLETE	CAA0185000
8	5020209525	FEED ROD CRANK	R1A0993003
9	5020209526	FEED LEVER	R1A0973003
10	5020209527	FEED ROD	CAA0193003
11	5020209528	FEED CRANK COMPLETE	CAA0165000
12	5020209529	FEED ROD	R1A0773000
13	5020209777	Gasket	H13093003
14	R1A0883003	FEED SUPPORTER	
15	5020209533	FEED SHAFT	R1A0903003
16	5020209534	Feed Crank	CJA1203003
17	5020209535	SPRING	CJB0083003
18	5020209741	ELECTRIC WIRE PRESS BOARD(1)	CAA1323003
19	5020209536	FEED TRANSFER SHAFT	CAA0083000
20	5020209694	FEED REGULATING SHAFT BUSHING	F30373000
21	5020209537	FEED TRANSFER CRANK (1)	CAA0093000
22	5020209540	FEED ROCK CRANK	CAA0103000
23	5020209542	DUAL FEED SHANK	CAA0223000
24	5020209543	SHANK OF DELIVER CLOTH FOOT COMPLETE	CAA0215000-01
26	5020209545	SPRING	R1A0873003
27	5020209546	SHANK LEVER COMPLETE	CAA0625000
28	5020209547	SHANK SPRING	CAA0613003
29	5020209548	PRESSER BAR LIFTER SPACER	R1A1013000
30	5020209549	PRESSER BAR RING	R1A1673001
A19	5020206112	Screw (M4*0.7*L8)	004240106
B27	5020206110	Screw (M4*0.7*L6)	004240056

Dual Transport



Pos	Item number	Description	Supplier Part no.
C2	5020209972	Screw (M3*0.5*L4)	004230203
C4	5020209550	SCREW (M3*0.5*L6)	004230573
C5	5020209541	SET SCREW (M3*0.5*L15)	004230443
C10	5020206108	Screw (M4*0.7*L5)	004240033
C12	5020206113	Screw (M4*0.7*L6)	004240223
C17	5020209538	SCREW (M5*0.8*L8)	004250363
P5	5020209544	SPRING PIN (□2*L7*0.4)	0030400103
R3	5020209524	E-RING (ETW-3, □3.2*□7*0.5)	003011033
R4	5020209530	E-Ring (ETW-3, □3.2*□7*0.6)	003010033
R5	5020206095	E-Ring (ETW-3, □3.2*□7*0.6)	003010036
R9	5020207869	E-Ring (ETW-5, □5*□11*0.6)	003010053
W58	5020209693	Washer (□6.7*□11.8*0.5)	004400570

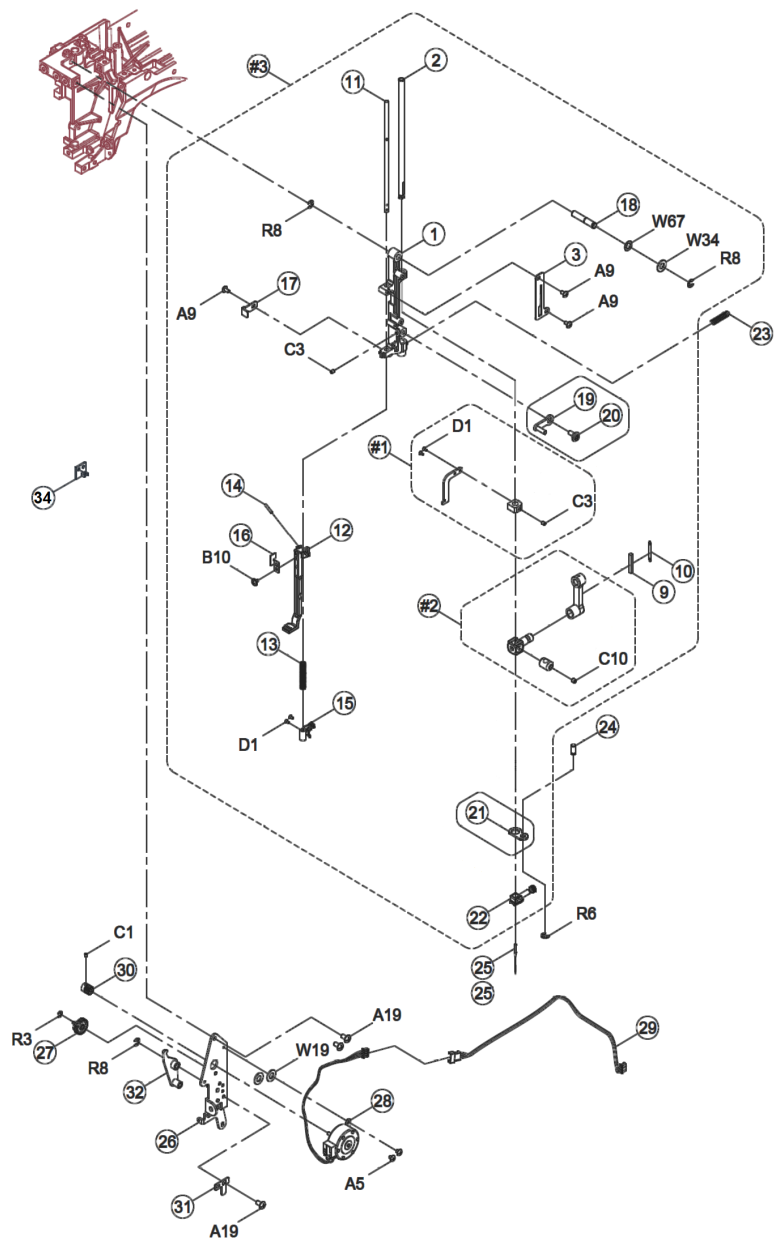
Needlebar with support



Pos	Item number	Description	Supplier Part no.
-1	5020209556	AUTO THREADER STOPPER COMPLETE	CJA0565000
-2	5020209558	NEEDLE BAR BROCKET COMPLETE	CJB0115000
-3	5020210480	Needle Bar Supporter cpl	CJA0554429
1	5020209553	NEEDLE BAR SUPPORTER	CJA0553000
2	5020209554	NEEDLE BAR	CJB0473000
3	5020209555	THREADING GUIDE	CJA0743003
9	5020209559	OIL COTTON	CJB0073000
10	5020209560	OIL COTTON HOLDER PLATE	CJA1483000
10	5020210384	Oil Cotton Holder Plate	CJA1483000-01
11	5020209561	THREADING SHAFT	CHA1373000
12	5020209562	AUTO THREADER LEVER	CHA1313429
13	5020209563	THREAD SHAFT SPRING	CHA1483003
14	5020209564	PIN (2*L16)	0030400010
15	5020209565	THREADING PLATE CPL.	CJB0505429
16	5020209566	Threading Plate Cpl.	CJA1603000
17	5020209568	PLATE	CHA1353000
18	5020209569	Nadelstange-Träger-Stift	P3A0183000
18	5020210381	Needle bar supporter pin	P3A0183000-01-B
19	5020209573	ZIG ZAG WIDTH ROD COMPLETE	CJA0375000
20	5020209574	NEEDLE BAR DRIVING ROD PIN	E1A2993000
21	5020209149	Needle bar swing ring	H7A0773003
22	5020209575	NEEDLE CLAMP COMPLETE	CJA1735000
22	5020210165	Needle clamp cpl.	CJB0765000
23	5020200061	NEEDLE BAR SUP. SPRING	H50583003
24	5020209576	NEEDLE BAR SUPPORTER PLATE PIN	CAA1823000
25-1	0025117110	Needle set 130/705 H SUK ASS 70-90 (5)	
25-2	0025077102	Needle Set 130/705 H Packed ASS 70-90 (5)	
26	5020209577	ZIGZAG SUPPORTER PLATE COMPLETE	CJA0845000
27	5020209578	ZIGZAG GEAR CAM	CJA0853000
28	5020209579	Motor cpl	001H1C0001
29	5020209581	WIDTH STEPPER MOTOR CABLE	008CJB0012
30	5020209582	PULSE MOTOR GEAR	H7B0313000
31	5020209584	ZIGZAG DRIVE CRANK POSITIONING PLATE	CJA1883000
32	5020209585	ZIGZAG DRIVE CRANK COMPLETE	CJA1745000

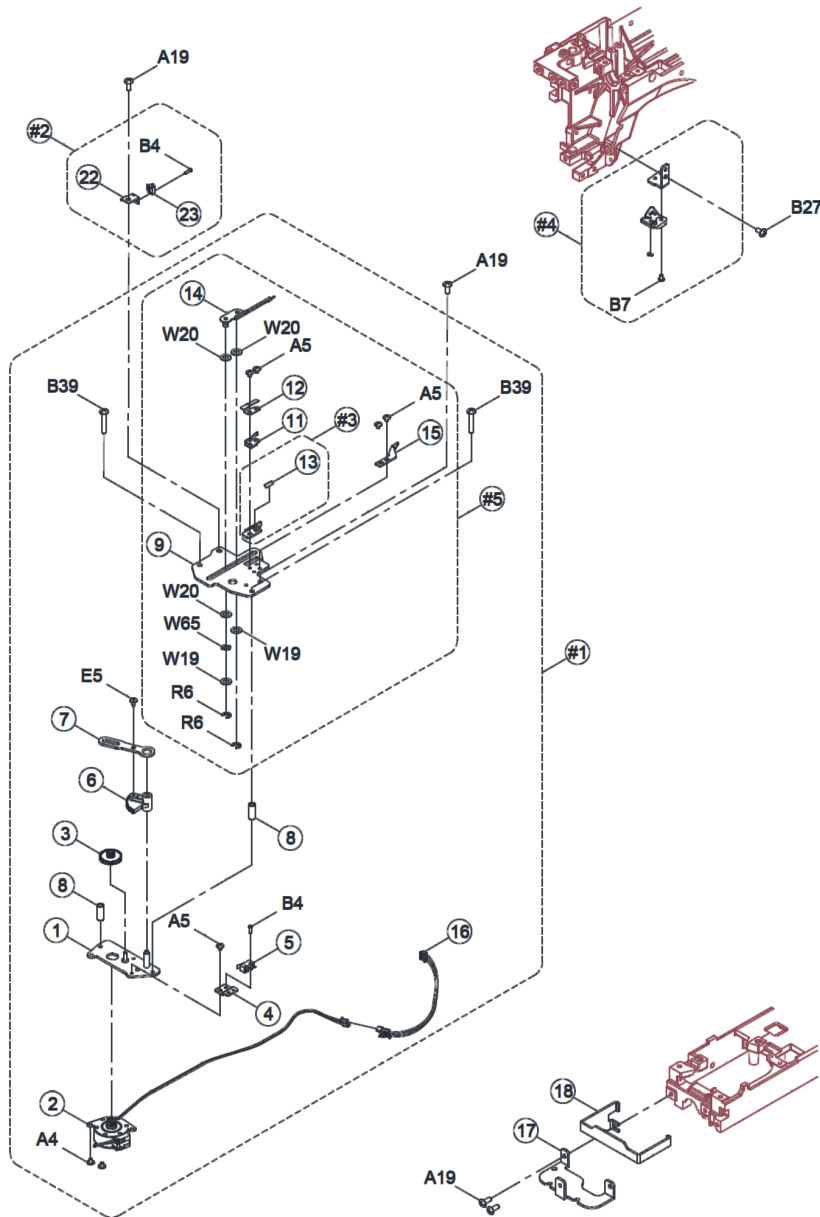
b79

Needlebar with support



Pos	Item number	Description	Supplier Part no.
34	5020209658	Photo Sensor Cpl needle threader	008CJA0021
A5	5020209828	Screw(M3*0.5*4A)	0042300066
A9	5020206545	Screw (M3*0.5*L6)	004230016
A19	5020206112	Screw (M4*0.7*L8)	004240106
B10	5020209825	Screw (M3*0.5*L6)	004230082
C1	5020209755	Screw (M3*0.5*L3)	004230433
C3	5020209557	Screw (M3*0.5*L4)	004230483
C10	5020206108	Screw (M4*0.7*L5)	004240033
D1	5020207095	SCREW (M2*0.4*L4)	004220203
R3	5020209524	E-RING (ETW-3, □3.2*□7*0.5)	003011033
R6	5020207868	E-Ring (ETW-4, □4*□9*0.6)	003010043
R8	5020209691	E-Ring (ETW-4, □4*□9*0.6)	003010046
W19	5020209602	Washer (□5.2*□10*0.2)	004300713
W34	5020209668	Washer (□6.5*□13*1)	004300043
W67	5020209570	Washer (□6.4*□11*1*0.15)	004500670

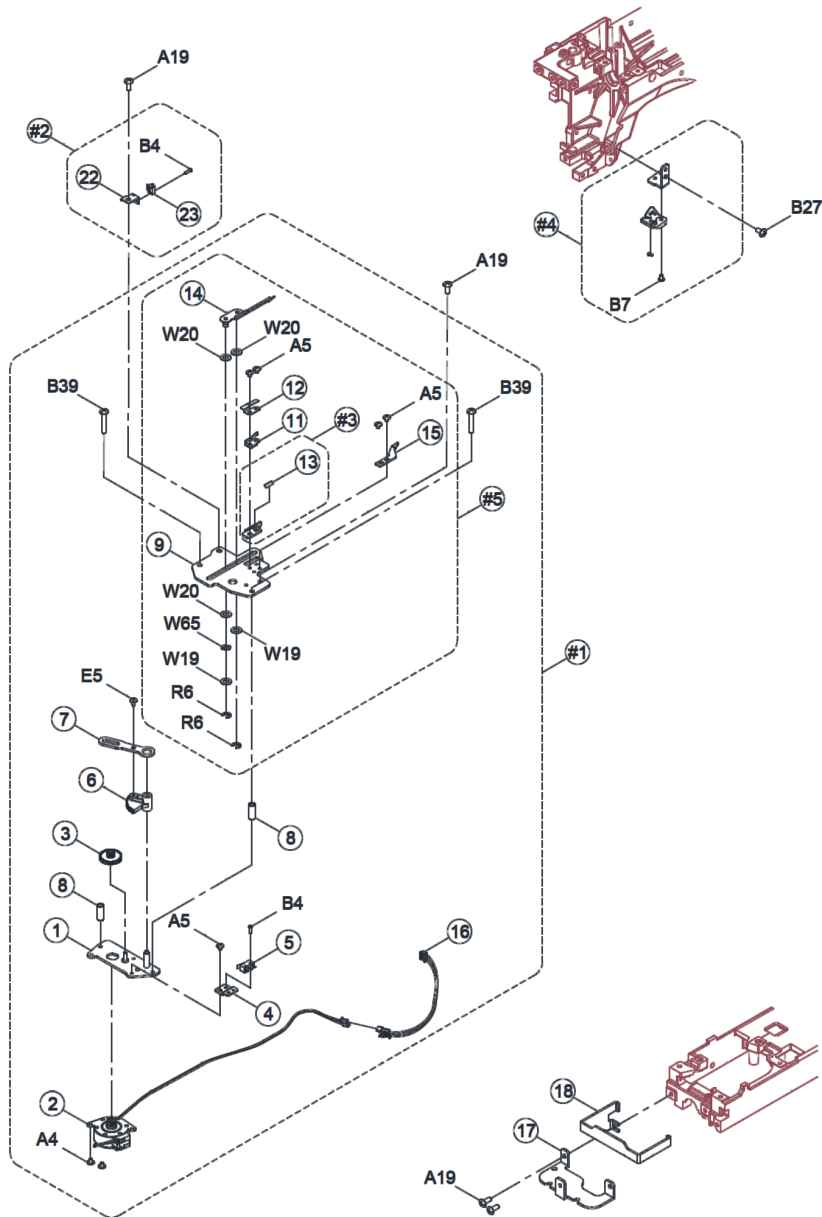
Thread cutting



Pos	Item number	Description	Supplier Part no.
-1	5020209925	Auto Cutter cpl	CJA1565000
-2	5020209926	Micro Switch plate cpl	CJA1895000
-3	5020209597	Fixed Bracket Complete	CJB0415000
-4	5020209607	THREAD-CUTTER-COMLETE	GJA1714892
-4	5020210390	THREAD CUTTER COMPLETE	CJA171489-01
-5	5020210003	AUTO CUTTER SET	CJA1935000
1	5020209586	PULSE MOTOR PLATE COMPLETE	CJA1555000
2	5020209587	MOTOR	001H7A0006
3	5020209589	Lower Thread Gear	H7A0293000
4	5020209590	TRIMMER MICRO SWITCH SUPPORTER	H7A0723003
5	5020209591	MICRO SWITCH COMPLETE	008CJA0013
6	5020209592	MOVABLE CUTTER GEAR	H7A0183000
7	5020209593	MOVABLE CUTTER CRANK	H7A0253006
8	5020209595	SLEEVE	H7A0283006
9	5020209596	MOVEABLE CUTTER PLATE	CJA1573006
11	5020209598	SPLINT	H7B0353000
12	5020209599	MOVABLE KNIFE PLATE	H7A0243000
13	5020205828	Thread Cutter	CHA1643000
14	5020209600	MOVABLE CUTTER COMPLETE	CJB0435000
15	5020209601	ROTARY HOOK PLATE (1)	CJA1583002-01
16	5020209609	MOTOR CABLE	008CJB0011
17	5020209606	PULSE MOTOR BRACKET	CJA1313003
18	5020210386	FREE ARM COVER SUPPORTER	CJB0693008
22	5020209610	MICRO SWITCH PLATE	CJA1893000
23	5020209611	MICRO SWITCH COMPLETE	008CJA0015
A4	5020209796	SCREW	0042300508
A5	5020209828	Screw(M3*0.5*4A)	0042300066
A19	5020206112	Screw (M4*0.7*L8)	004240106
B4	5020209107	Screw (M2*0.4*7.5)	004220112
B7	5020209641	Set Screw (M3*5B)	004230056
B27	5020206110	Screw (M4*0.7*L6)	004240056
B39	5020209604	SET SCREW	0042415208
E5	5020209419	Screw (M3*0.5*L8.5)	004230216
R6	5020207868	E-Ring (ETW-4, □4*□9*0.6)	003010043

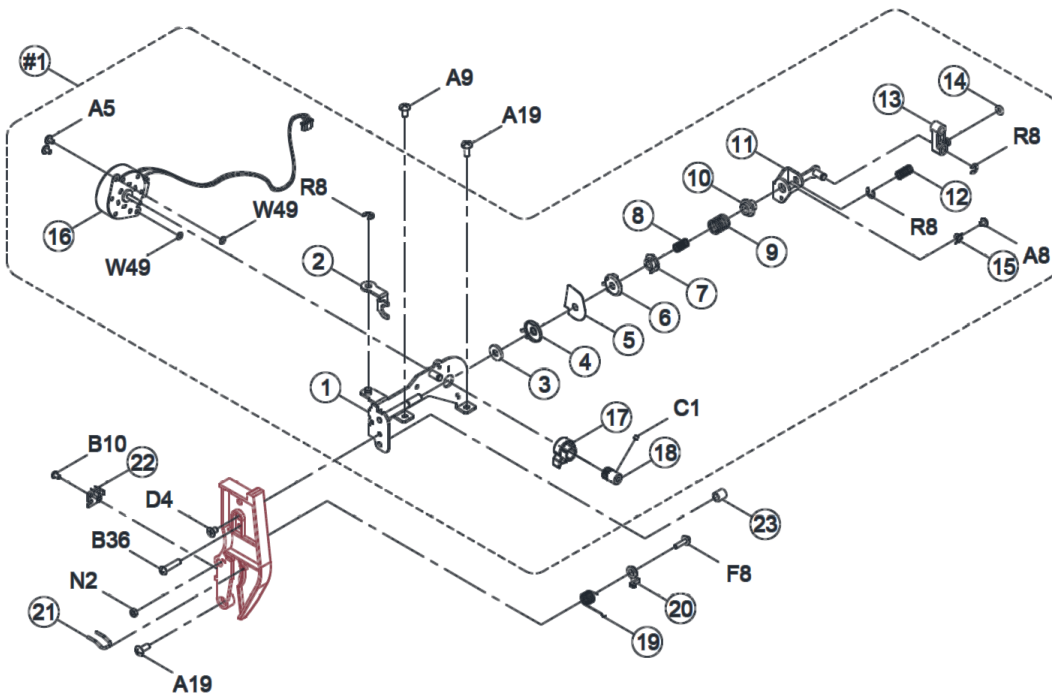
b79

Thread cutting



Pos	Item number	Description	Supplier Part no.
W19	5020209602	Washer (□5.2*□10*0.2)	004300713
W20	5020209605	Washer (5.2*10*0.5)	004300643
W65	5020209603	CURVED WASHER	0045520010

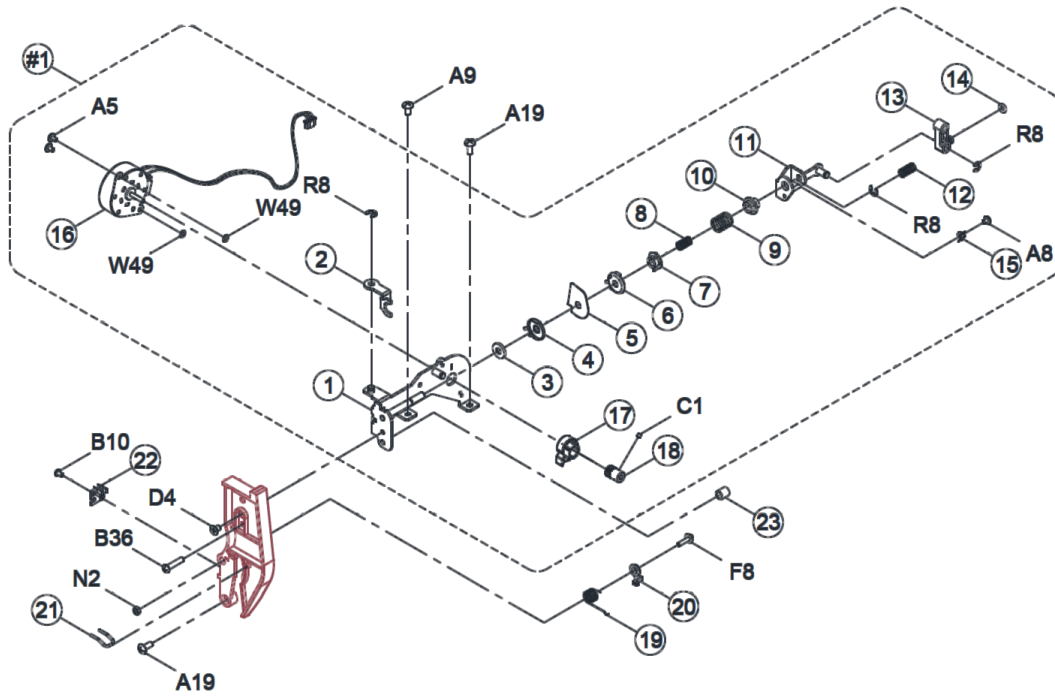
b79



Thread tension

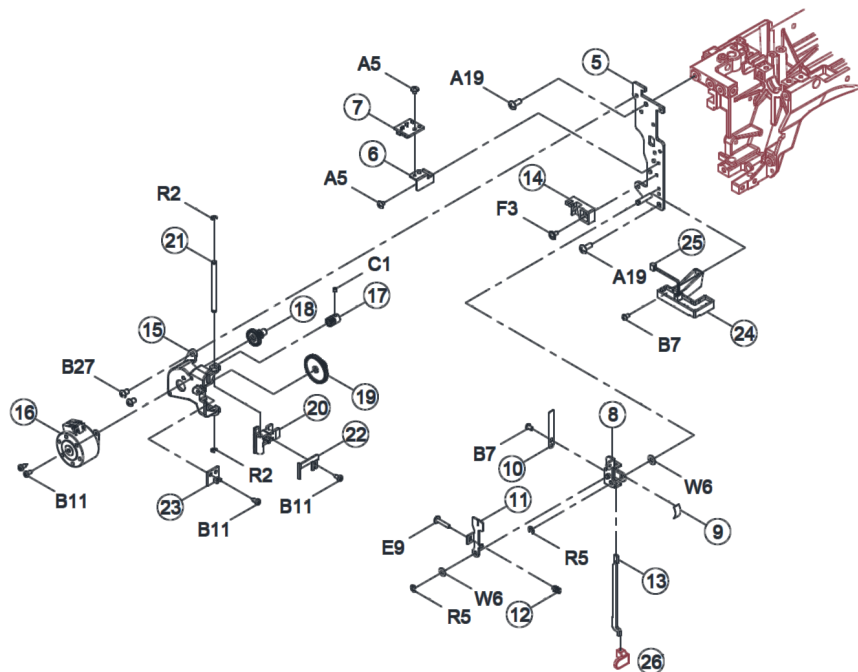
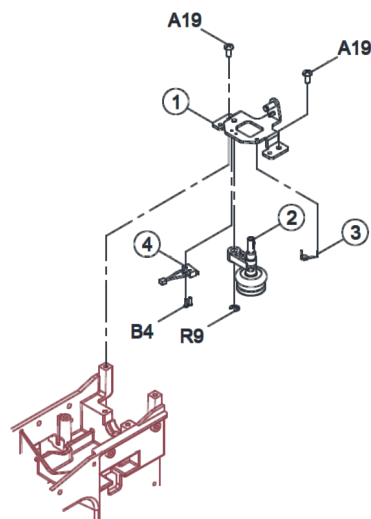
Pos	Item number	Description	Supplier Part no.
-1	5020209927	Dial tension supporter plate cpl	CJA0344000
1	5020209612	DIAL TENSION SUPPORTER PLATE COMPLETE	CJA0345000
2	CJB0603008	DIAL TENSION WAFT PLATE	
3	5020209989	GASKET	CJB0583000
4	5020206206	Dial Tension Disc 1	J30423001
5	5020209614	DUAL THREAD GUIDE PLATE	CAA1283000
6	5020206538	Dial Tension Disc 2	E1A2333001
7	5020206208	Dial Tension Regulator	R10593000
9	5020209973	DIAL TENSION SPRING	CJB0733000
10	5020207882	Dial Tension Regulator	K50193000
11	5020209615	DIAL TENSION SPRING PLATE COMPLETE	CJA0595000-01
12	5020209616	SPRING	CJA0623000
13	5020209617	DIAL TENSION DRIVE CRANK	CJA0603000
14	5020209618	O RING	CJA0753000
15	5020209619	DIAL TENSION SUPPORTER HOLDER PLATE	CJB0483000
16	5020207174	Pulse motor	001D3B1001
17	5020209621	DIAL TENSION ADJUSTABLE CAM	CJA0613000
18	5020209687	PULSE MOTOR GEAR COMPLETE	CAA1713000
19	5020209623	DIAL TENSION SPRING	CFA0993000
20	5020209624	UPPER THREAD CRANK	H1B0443000
21	5020207865	Thread guide	P3A1353001
22	5020209033	PHOTO SENSOR PLATE	008H3B0002
23	5020208933	Tension Guide Roller	H11103001
A5	5020209828	Screw(M3*0.5*4A)	0042300066
A8	5020209077	Screw (M3*L5*0.5)	004230702
A9	5020206545	Screw (M3*0.5*L6)	004230016
A19	5020206112	Screw (M4*0.7*L8)	004240106
B10	5020209825	Screw (M3*0.5*L6)	004230082
B36	5020209163	Screw (M4*15 B)	004240146
C1	5020209755	Screw (M3*0.5*L3)	004230433
D4	5020209164	Screw (M4*6)	004240176
F8	5020209704	Screw (M3*0.5 L=12)	004230776
N2	5020209626	Nut (M3*0.5*2.3)	004830016

b79



Thread tension

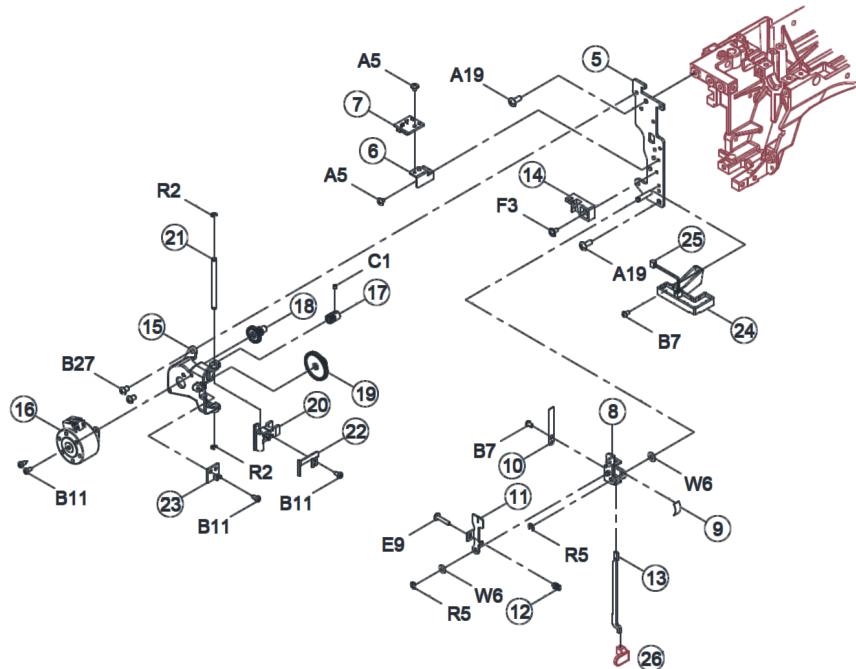
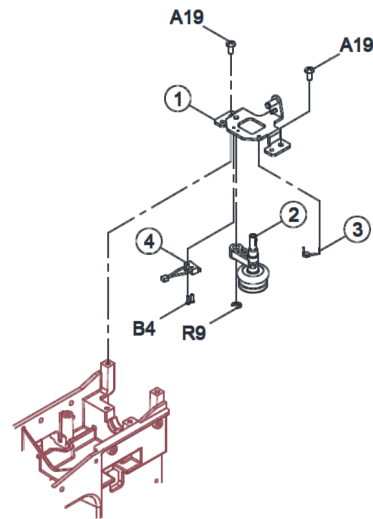
Pos	Item number	Description	Supplier Part no.
R8	5020209691	E-Ring (ETW-4, □4*□9*0.6)	003010046
W49	5020210413	ENDURE ATTRITION WASHER (5.5x3.18x0.5)	0044000400



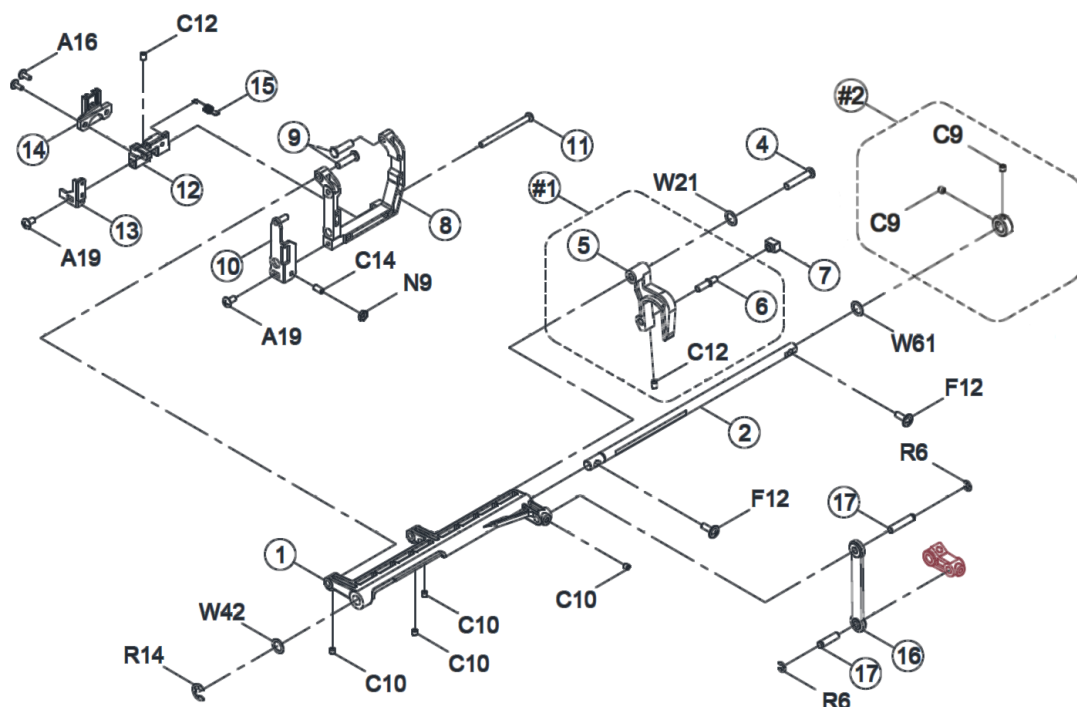
Pos	Item number	Description	Supplier Part no.
1	5020210414	BOBBIN WINDER HOLDER CPL.	CAA0765000
2	5020209630	BOBBIN WINDER CRANK CPL.	CAA1555000
3	5020209631	BOBBIN WINDER CRANK SPRING	H1D0723003
4	5020209632	MICRO SWITCH COMPLETE	008CJA0012
5	5020209633	BH LEVER PLATE COMPLETE	CJA1495000
6	5020209635	MICRO SWITCH PLATE(BH)	CJA1223006
7	5020209637	PHOTO SENSOR COMPLETE(B/H)	008CJA0022
8	5020209638	BH Lever Crank Complete	H7A0425000
9	5020209639	BH Spring	E1A1483003
10	5020209640	BH LEVER CRANK SPRING	CFA1053000
11	5020209642	Photo Plate	H7A0413003
12	5020209643	PULSE SUPPORT SPRING	D3B1293003
13	5020209133	BH Lever	P3C0183002
14	5020209646	KI Bewegung Kurbel	P3C0203209
15	5020209648	AUTO PRESSER BAR LIFTER SUPPORTER PLATE	CJA0985000
16	5020209649	PULSE MOTOR	001CJA0001
17	5020209650	PULSE MOTOR GEAR	CJA0053000
18	5020209652	PRESSER BAR DECELERATION GEAR	CJA0083582
19	5020209653	PRESSER BAR GEAR	CJA0093582
20	5020209654	PRESSER BAR LIFTER RACK	CJA1333582
21	5020209655	PRESSER BAR LIFTER GEAR SHAFT	CJA1343003
22	5020209657	PRESSER BAR LIFTER PLATE	CJA1383003
23	5020209658	Photo Sensor Cpl needle threader	008CJA0021
24	5020209659	LED cpl. with cover	CJB0065000
25	5020209660	LED cable	008CJA0006
26	5020209446	BH Lever Button	CJBA023429
A5	5020209828	Screw(M3*0.5*4A)	0042300066
A19	5020206112	Screw (M4*0.7*L8)	004240106
B4	5020209107	Screw (M2*0.4*7.5)	004220112
B7	5020209641	Set Screw (M3*5B)	004230056
B11	5020209752	Screw (M3*8)	004230872
B27	5020206110	Screw (M4*0.7*L6)	004240056
C1	5020209755	Screw (M3*0.5*L3)	004230433

Bobbinwinder

Pos	Item number	Description	Supplier Part no.
E9	5020209644	Set Screw (M3*0.5*L16)	004230596
F3	5020209647	Screw (M3*0.5*L6)	004230816
R2	5020209656	B25 RING (E-2.5)	003010253
R5	5020206095	E-Ring (ETW-3, □3.2*□7*0.6)	003010036
R9	5020207869	E-Ring (ETW-5, □5*□11*0.6)	003010053
W6	5020209645	Washer (4*8*0.5)	004300096

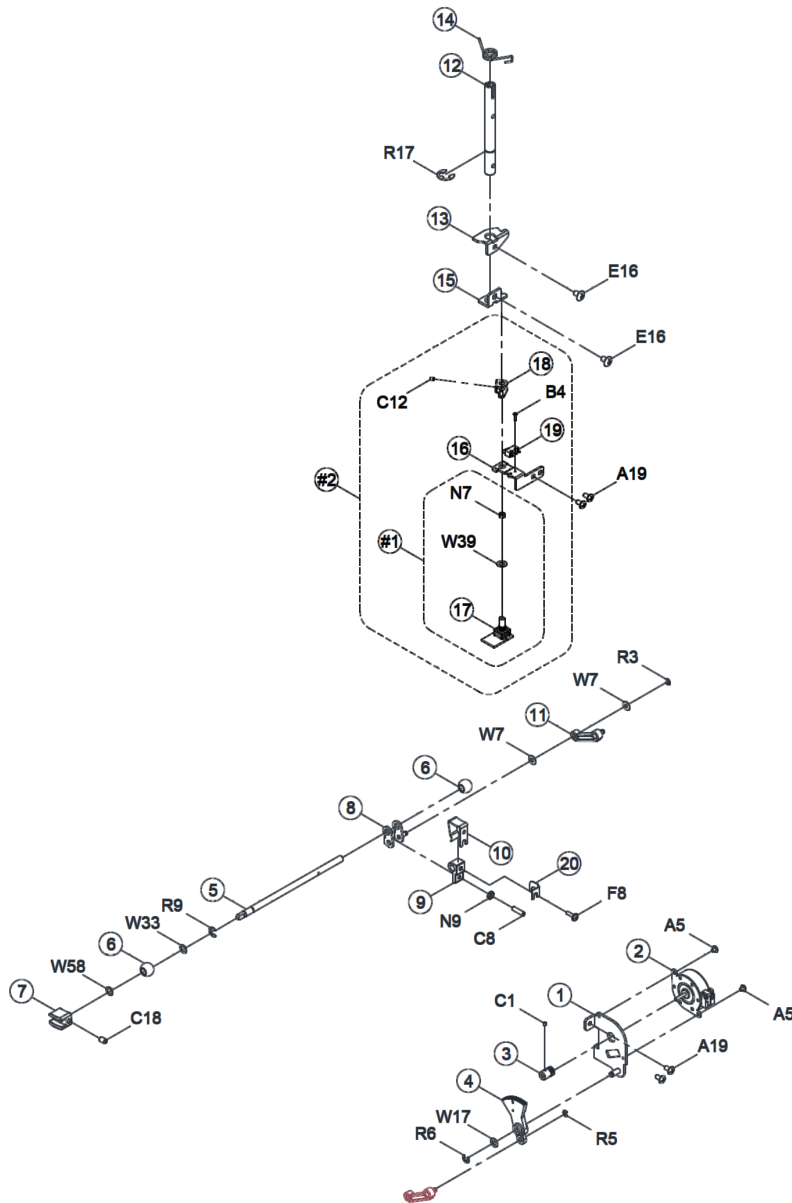


Feed dog unit



Pos	Item number	Description	Supplier Part no.
-1	5020209667	Feed Rock Crank Cpl	CJA1835000
-2	5020209733	LOWER SHAFT COLLAR COMPLETE	V11564000
1	5020209661	FEED ROCK SWING RACK	CJA0813000
2	5020209662	FEED ROCK SHAFT	CJA0793000
4	5020209666	FEED ROCK SHAFT	P3A0583003
7	5020209669	FEED REGULATING BLOCK	CHA0423000
8	5020209670	FEED DOG FRAME	CJA1273000
9	5020209671	Feed Dog Shaft	P3A0533003
10	5020209672	FEED LIFTING ROCK CRANK COMPLETE	CJA1285000
11	5020209674	FEED DOG BALANCE FRAME SHAFT	CJA1243003
12	5020209675	FEED DOG BALANCE FRAME	CJA1233000
13	5020209676	LIFTER ADJUSTING CRANK COMPLETE	CJA1255000
14	5020210415	FEED DOG	CJB0613001
15	5020209679	FEED DOG FRAME SPRING	CJA1423003
16	5020209681	FEED ROCK ROD COMPLETE	CAA0055000
17	5020209682	FEED ROCK ROD PIN	CAA0073000
A16	5020209678	Set Screw (M3.5*8A)	004235016
A19	5020206112	Screw (M4*0.7*L8)	004240106
C9	5020206116	Screw (M4*0.7*L4)	004240503
C10	5020206108	Screw (M4*0.7*L5)	004240033
C12	5020206113	Screw (M4*0.7*L6)	004240223
C14	5020209673	Screw (M4*0.7*L9)	004241093
F12	5020209680	SET SCREW (M4x12)	004240546
N9	5020209699	Nut (M4*0.7*2.1)	0048400070
R6	5020207868	E-Ring (ETW-4, □4*□9*0.6)	003010043
R14	5020209664	E-Clip (E-7)	003010073
W21	5020209974	WASHER (5.2X12X1)	004300733
W42	5020209683	Washer (□8.2*□12*0.5)	004300936
W61	5020209734	Washer (□8.2*□12*0.5)	004400830

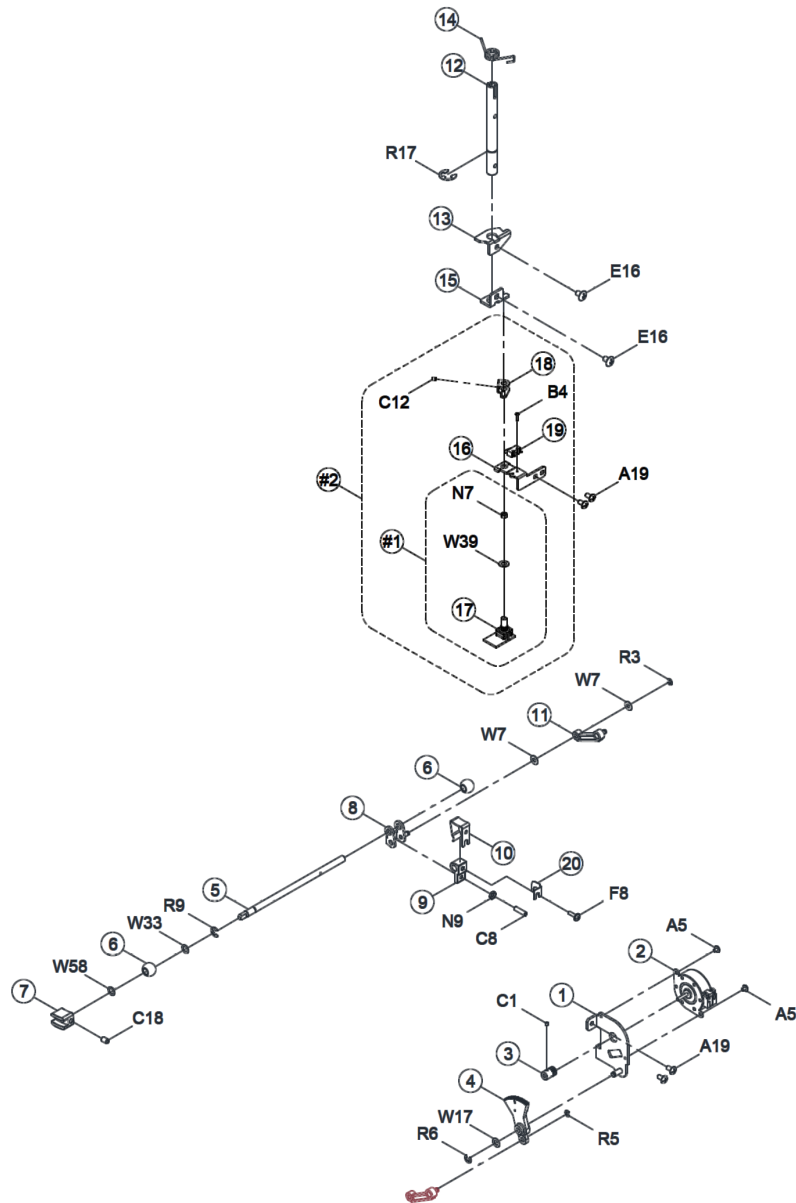
Feed dog unit



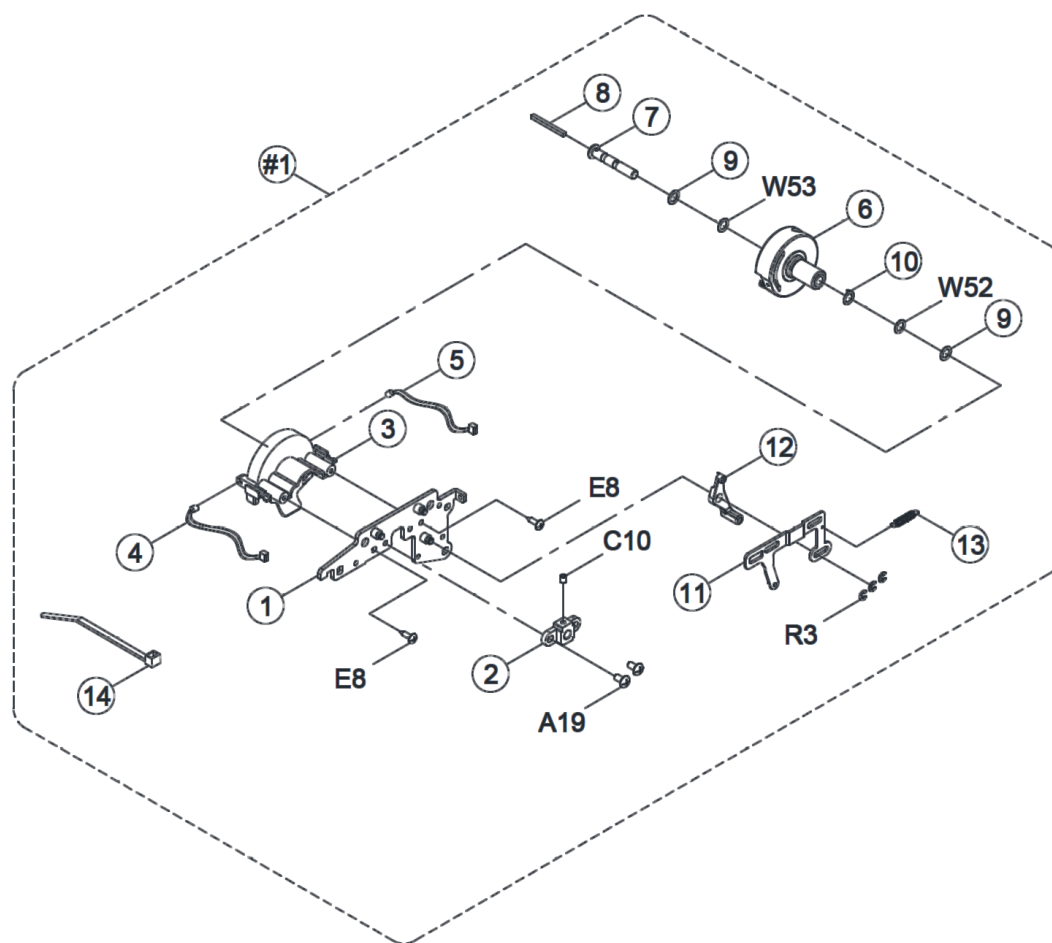
Pos	Item number	Description	Supplier Part no.
-1	5020209711	KNEE LIFTER SENSOR	008CJA0039
-2	5020210497	Knee Lifter Encoder cpl	CJA1094000
1	5020209684	PULSE SUPPORT PLATE COMPLETE	CJA0935000
2	5020209685	PULSE MOTOR	001H7B0003
3	5020209687	PULSE MOTOR GEAR COMPLETE	CAA1713000
4	5020209689	FEED ROCK CRANK GEAR	CJA0153582
5	5020209692	FEED REGULATING SHAFT	CJA0943000
6	5020209694	FEED REGULATING SHAFT BUSHING	F30373000
7	5020209695	FEED REGULATING	CHA0403000
8	5020209697	FEED REGULATING CRANK (2) COMPLETE	CJB0495000
9	5020209698	FEED REGULATING CRANK (1)	H7C0313000
10	5020209700	FEED REGULATING CRANK SPRING	H7C0333003
11	5020209703	FEED ROCK SHAFT COMPLETE	CJA0955000
12	5020210416	KNEE LIFTER SHAFT	CJA1113002
13	5020209706	KNEE LIFTER DRIVE CRANK(A)	CJA1133000
14	5020209975	Knne lifter spring	CJA1103003
15	5020209708	KNEE LIFTER DRIVE CRANK(B)	CJA1143000
16	5020209710	ENCODER FIXED PLATE	CJA1093000
18	5020209712	Rotate Drive Crank cpl	CJA0525000
19	5020209713	MICRO SWITCH COMPLETE	008CJA0030
20	5020210417	GASKET OF FEED REGULATING CRANK	CJB0663000
A5	5020209828	Screw(M3*0.5*4A)	0042300066
A19	5020206112	Screw (M4*0.7*L8)	004240106
B4	5020209107	Screw (M2*0.4*7.5)	004220112
C1	5020209755	Screw (M3*0.5*L3)	004230433
C8	5020209701	SCREW	0042415403
C12	5020206113	Screw (M4*0.7*L6)	004240223
C18	0042500473	Screw (M5*0.8*L8)	
E16	5020200713	SET SCREW	004250086
F8	5020209704	Screw (M3*0.5 L=12)	004230776
N7	0048700108	Nut (M7x0.75 t=2.1)	
N9	5020209699	Nut (M4*0.7*2.1)	0048400070
R3	5020209524	E-RING (ETW-3, □3.2*□7*0.5)	003011033
R5	5020206095	E-Ring (ETW-3, □3.2*□7*0.6)	003010036

b79

Feed dog unit

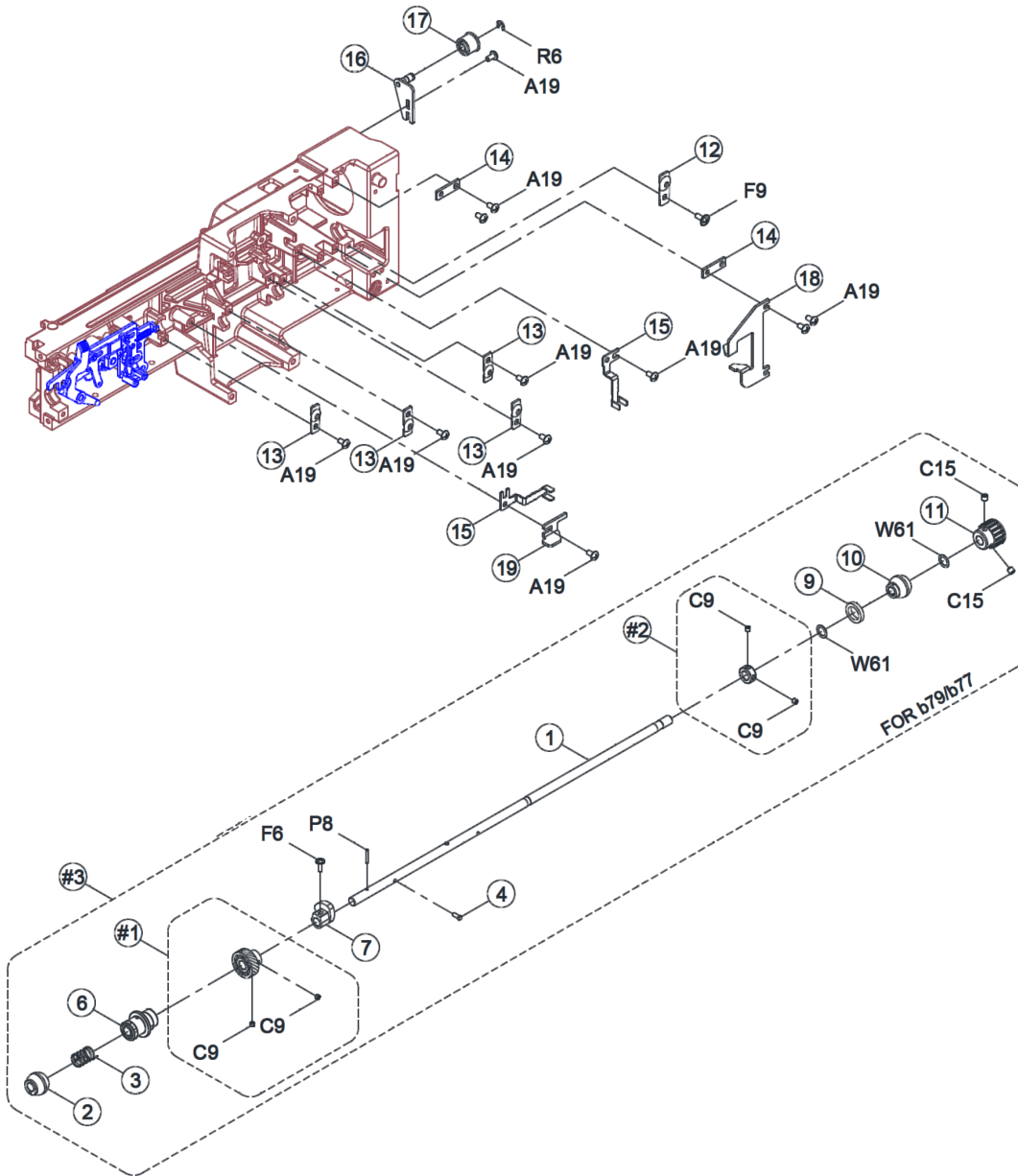


Pos	Item number	Description	Supplier Part no.
R6	5020207868	E-Ring (ETW-4, □4*□9*0.6)	003010043
R9	5020207869	E-Ring (ETW-5, □5*□11*0.6)	003010053
R17	5020209836	E-Ring (ETW-9, □9*□18*0.8)	003010093
W7	5020209702	Washer (4*10*0.4)	0043000016
W17	5020209690	WASHER	0043000208
W33	5020209714	Washer	004300946
W39	0043002908	Washer (7.2x12x0.4)	
W58	5020209693	Washer (□6.7*□11.8*0.5)	004400570



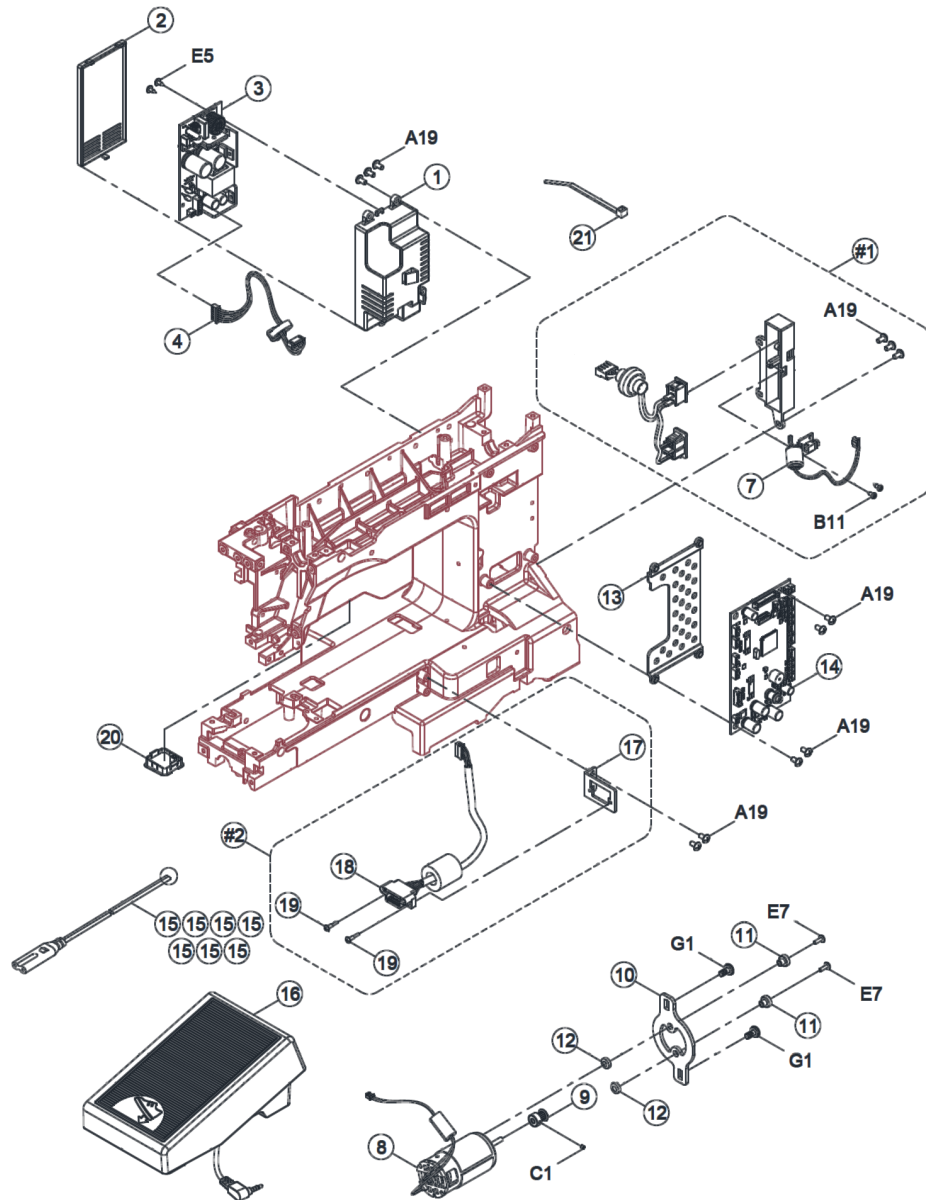
Pos	Item number	Description	Supplier Part no.
-1	5020210485	ROTARY HOOK HOLDER CPL.	CJA0964000
1	5020209715	ROTARY HOOK HOLDER COMPLETE	CJA0965000
2	5020210239	Rotary hook supporter	E1A0543000
3	5020209717	SHUTTLE HOOK COVER	CJA1303582
4	5020209718	ROW LINE	008CJA0031
5	5020209719	ROW LINE	008CJA0032
6	5020209720	SHUTTLE HOOK HOLDER ASSEMBLY	CJA1525000
7	5020206143	Bobbin Shaft	E1A2033000
8	5020206183	Bobbin Shaft Oil Cloth	NB0693000
9	5020206182	Bobbin Shaft Washer	NB0673000
10	5020206272	Bobbin Shaft Washer	NB0683000
11	5020210419	TOOTH LEVER SUPPORTER PLATE CPL.	CJA1015000
12	5020209723	TOOTH LEVER ARM	CJA1043000
13	5020209724	TOOTH LEVER SUPPORTER PLATE SPRING	CJA1023000
14	5020209800	CORD CLIP	002027129
A19	5020206112	Screw (M4*0.7*L8)	004240106
C10	5020206108	Screw (M4*0.7*L5)	004240033
E8	5020209805	Set Screw (M3*0.5*L12)	004230066
R3	5020209524	E-RING (ETW-3, □3.2*□7*0.5)	003011033
W52	5020209721	Washer (□6.2*□9.6*0.25)	0044000200
W53	5020206122	Washer (□6.2*□9.6*0.5)	004400840

Lower shaft



Pos	Item number	Description	Supplier Part no.
-1	5020209957	Lower Shaft Gear CPL	CJB0554000
-2	5020209733	LOWER SHAFT COLLAR COMPLETE	V11564000
-3	5020209998	LOWER SHAFT SET b77/b79	CJA0764000
1	5020209727	LOWER SHAFT	CJA0763000
2	5020209728	LOWER SHAFT BIAS BUSHING	CJA0833000
3	5020209729	LOWER SHAFT SPRING	CJA1293003
4	5020209381	Feed Lifting Rock Cam Pin	P3A0433003
6	5020209730	FEED LIFTING ROCK CAM	CHA0523582
7	5020209731	FEED ROCK CAM	CHA0673582
9	5020209735	Felt Seal 12.7*18.7*T 3.5 Mm	R1A2823000
10	5020209736	LOWER SHAFT BUSHING	CJA0823000
11	5020209737	LOWER SHAFT BELT PULLEY	CHA0593003
13	5020209739	BUSHING PRESSER PLATE	CJA1163003
14	5020209740	KNEE LIFTER SHAFT PLATE	CJA1123006
15	5020209741	ELECTRIC WIRE PRESS BOARD(1)	CAA1323003
16	5020209742	BELT ADJUSTING PLATE COMPLETE	CJA1065000
17	5020208861	Belt Adjusting Pulley	H1A0453000
18	5020210420	MOTOR SUPPORT PLATE	CJB0683008
19	5020209992	Support rack	CJB0773000
A19	5020206112	Screw (M4*0.7*L8)	004240106
C9	5020206116	Screw (M4*0.7*L4)	004240503
C15	5020206117	Screw (M5*0.8*L5)	004250203
F6	5020209732	SET SCREW (M3x10)	0042300116
F9	5020208929	Screw (M4*0.7*L8) (SET OF 10)	004240586
P8	5020206098	Spring Pin (□2*L14*0.4)	003042014
R6	5020207868	E-Ring (ETW-4, □4*□9*0.6)	003010043
W61	5020209734	Washer (□8.2*□12*0.5)	004400830

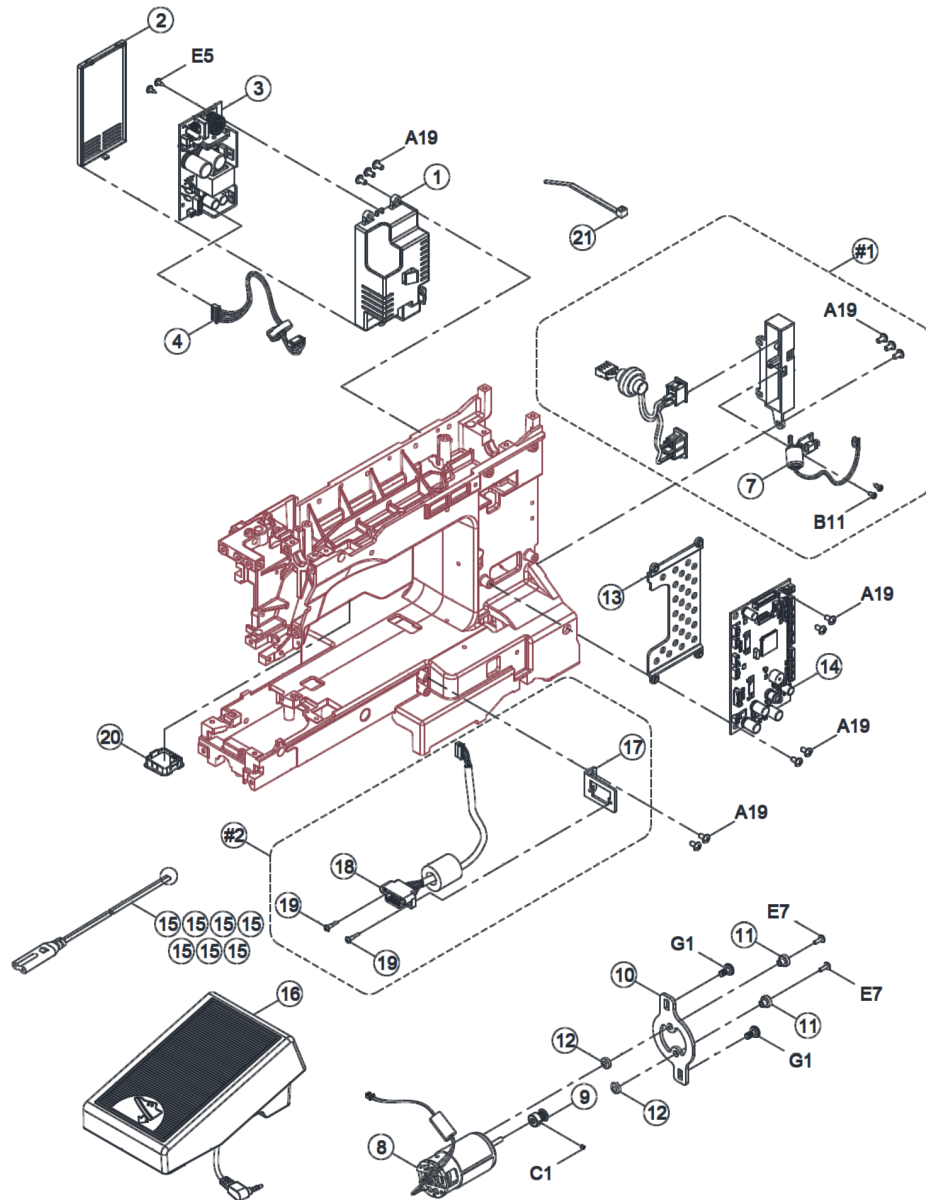
Power supply



Pos	Item number	Description	Supplier Part no.
-4	5020209749	Receptacle Holder-Complete	CJA1175582-04
-1	5020210428	RECEPTACLE HOLDER CPL.	CJA1175582
-2	5020209950	Connector assy	CJA0405000
1	5020209744	HF Transformer Box	CJA0993000
2	5020209745	HF Transformer Box Cover	CJA1003000
3	5020209746	HF Transformer cpl	008CJA0033
4	5020209747	Hf Transformer Wire 230V	008H1A0082
7	5020209751	Controller Receptacle cpl	008CJB0009
8	5020209753	DC Motor	001D030201
9	5020209754	Motor Wheel	S1A1173000
10	5020209756	Motor Bracket	S1A0583008
11	5020209757	Insulation Spacer	P3C0443000
12	5020209758	Insulation Spacer	P3C0453000
13	5020209761	Main PCB Frame	H3B0063209
14	5020209762	Main PCB	008CJB0001
15-1	5020209765	Power Cord (120V USA)	008CJB4001
15-2	5020209766	Power Cord (230V EUR)	008H7C1002
15-2	5020210422	SUPPLY CORD & BAG CPL. (230V EU)	008CJB1003
15-3	5020209767	Power Cord (240V UK)	008H7C1004
15-3	5020210426	SUPPLY CORD & BAG CPL. (240V GBR)	008CJB1004
15-4	5020209768	Power Cord (240V AUS)	008CJB1001
15-5	5020209976	Power Cord (220V China)	008H7C1005
15-5	5020210421	SUPPLY CORD & BAG CPL. (220V China)	008CJB1005
15-6	5020209977	Power Cord (230V Brazil)	008H7C1006
15-6	5020210424	SUPPLY CORD & BAG CPL. (230V BRA)	008CJB1006
15-7	5020209978	Power Cord (230V South Africa)	008H7C1008
15-7	5020210423	SUPPLY CORD & BAG CPL. (230V RSA)	008CJB1007
16	5020209769	Foot Controller	002CJB0004
16	5020210441	Foot controller	002CJB0001-01
17	5020209770	Embroidery Joint Holder	CJA0403006
18	5020209771	Connector assy	008CJB0025
19	5020209772	Screw	0042310201
20	5020209773	LED cpl with holder bracket	CJB0095210
21	5020210427	Cord Clip	002549129

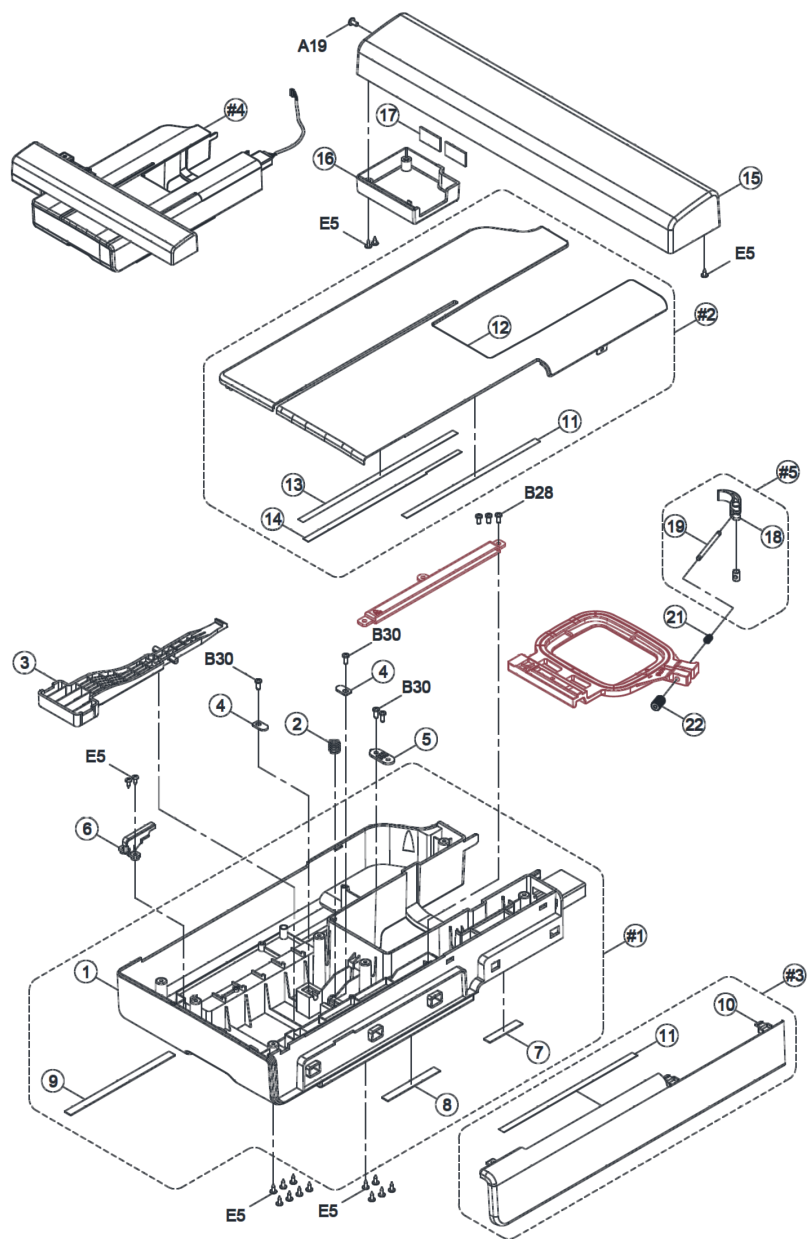
b79

Power supply



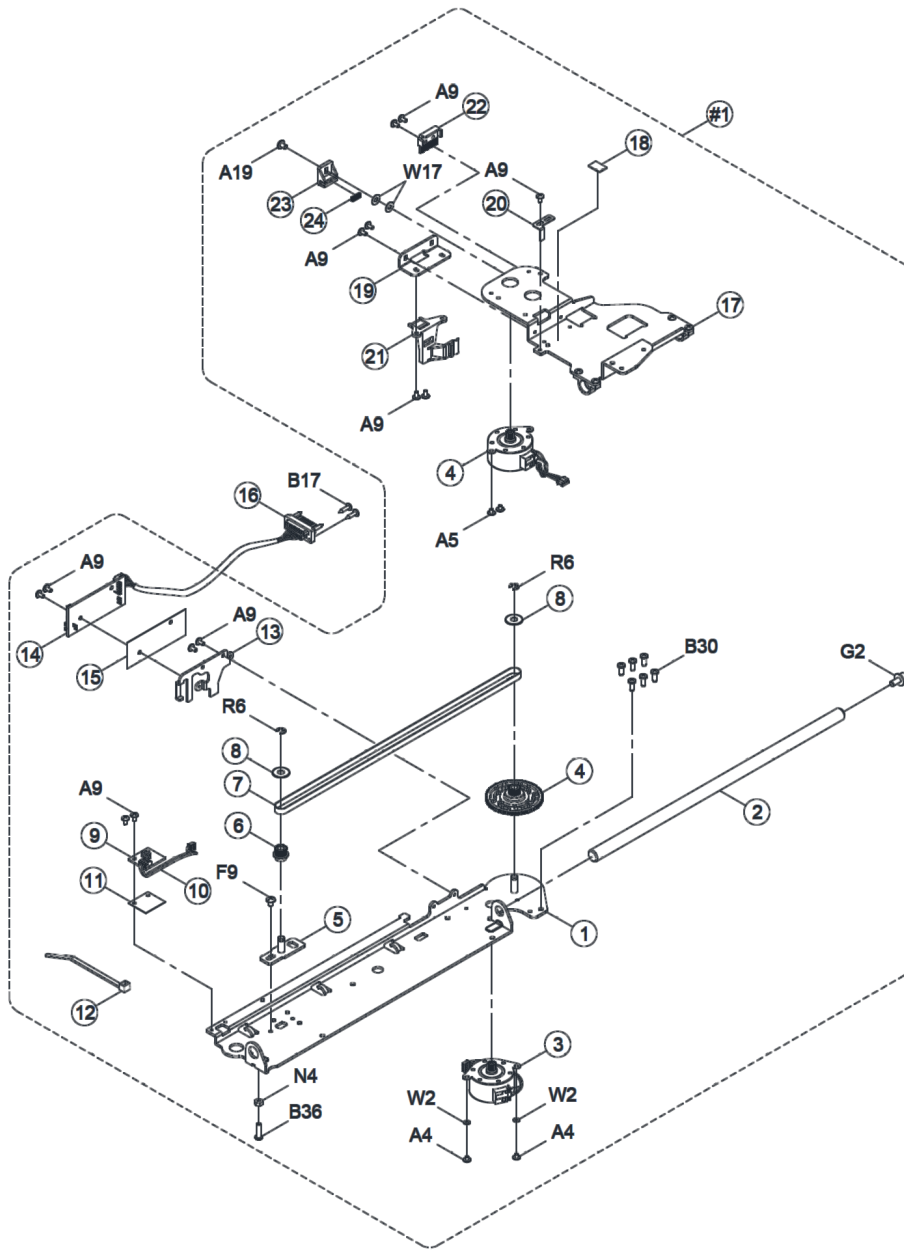
Pos	Item number	Description	Supplier Part no.
A19	5020206112	Screw (M4*0.7*L8)	004240106
B11	5020209752	Screw (M3*8)	004230872
C1	5020209755	Screw (M3*0.5*L3)	004230433
E5	5020209419	Screw (M3*0.5*L8.5)	004230216
E7	5020209759	Screw (M3*0.5*L10)	004230536
G1	5020209760	Screw (M5*0.8*L12)	0042500096

Embroidery cover



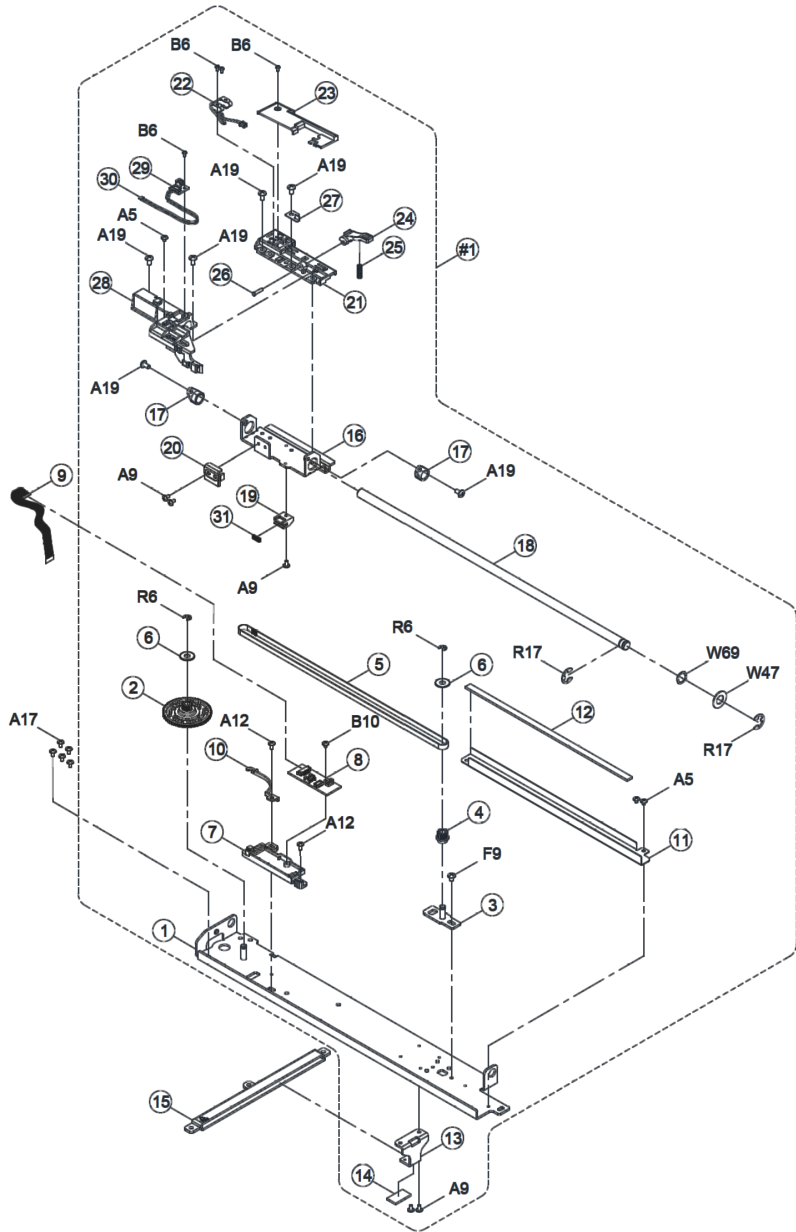
Pos	Item number	Description	Supplier Part no.
-1	5020209928	Embroidery bade assy.	CJBZ265698
-2	5020209930	Embroidery unit front cover assy.	CJBZ285892
-3	5020209929	Embroidery unit top cover assy	CJBZ275892
-4	5020209944	Embroidery unit cpl	CJB0194698
-5	5020210332	LEVER CPL.	CHAY065582
1	5020209774	EMBROIDERY UNIT BODY	CJBZ263698
2	5020209775	FIXED SPRING	H3B0503003
3	5020209776	FIXED POSITION HANDLE	CJBZ313698
4	5020209777	Gasket	H13093003
5	5020209778	Cord Restraining Strap	AK0073582
6	5020209779	X GROOVE COVER	CJBZ323892
7	5020209781	FELT	CJB0223000
8	5020209782	FELT	CJB0233000
9	5020209985	Foam (10x160x2)	025CJB0010
10	5020209783	EMBROIDERY UNIT FRONT COVER	CJBZ283892
11	5020209784	DUST-PROOF CUSHION	CJB0243000
12	5020209786	EMBROIDERY UNIT TOP COVER	CJBZ273892
13	5020209787	DUST-PROOF STRIP	CJB0203000
14	5020209788	DUST-PROOF STRIP	CJB0213000
15	5020209789	VERTICAL SHAFT COVER	CJBZ293892
16	5020209790	VERTICAL SHAFT UNDER COVER	CJBZ303892
17	5020209986	Foam (10x40x4)	025CJB0009
18	5020209956	Lever	CHAY063582
19	5020209979	SCREW	CHA0033002
21	5020209987	Spring	CHA0043003
22	5020209980	LOCK NUT	CHAY053002
A19	5020206112	Screw (M4*0.7*L8)	004240106
B28	5020209785	SCREW (M4*8)	004240016
B30	5020206114	Screw (M4*0.7*L10)	004240306
E5	5020209419	Screw (M3*0.5*L8.5)	004230216

X-driving axle



Pos	Item number	Description	Supplier Part no.
-1	5020209934	X Axial Supporter cpl	CJA1804000
1	5020209791	MACHINERY BOTTOM PLATE COMPLETE	CJA1615000
2	5020209792	X AXIAL MAIN SHAFT	CJA0263002
3	5020209794	PULSE MOTOR	001CHA0003
4	5020209817	105 Teeth Gear	CJA0043000
5	5020209818	Pulley Adjustment cpl	CHA0115000
6	5020209820	TST Idler Pulley	CHA0133582
7	5020209821	Belt	007650S2M1
8	5020209822	Washer	CHA0143000
9	5020209797	X AXIAL PHOTO SENSOR SWITCH	008CJA0036
10	5020209798	X AXIAL PHOTO SENSOR WIRE	008CJA0028
11	5020209799	INSULATING SLICE	008CJA0035
12	5020209800	CORD CLIP	002027129
13	5020209801	CONVERTER BOARD HOLDER PLATE	CJA1783000
14	5020209802	CONVERTER BOARD	008CHA0050
15	5020209803	INSULATING SLICE	008CHA0042
16	5020209804	CONNECTOR	008CJA0027
18	5020209815	FELT	CJB0543000
19	5020209809	PLATE	CHA0213006
20	5020209810	X AXIAL ZEROING CHECK PLATE	CJA1663003
21	5020209811	WIRING GUARD PLATE	CJA1683000
22	5020209813	BELT HOLDER PLATE	CJA1673000
23	5020209814	SLIDE PLATE	CJA1693000
24	5020209508	Lower Threader Cutter Brush	H7A0033000
A4	5020209796	SCREW	0042300508
A5	5020209828	Screw(M3*0.5*4A)	0042300066
A9	5020206545	Screw (M3*0.5*L6)	004230016
A19	5020206112	Screw (M4*0.7*L8)	004240106
B30	5020206114	Screw (M4*0.7*L10)	004240306
B36	5020209163	Screw (M4*15 B)	004240146
F9	5020208929	Screw (M4*0.7*L8) (SET OF 10)	004240586
G2	5020209793	SCREW WITH WASHER	0042504708
N4	5020206126	Nut (M4*0.7*3)	004840022
R6	5020207868	E-Ring (ETW-4, □4*□9*0.6)	003010043

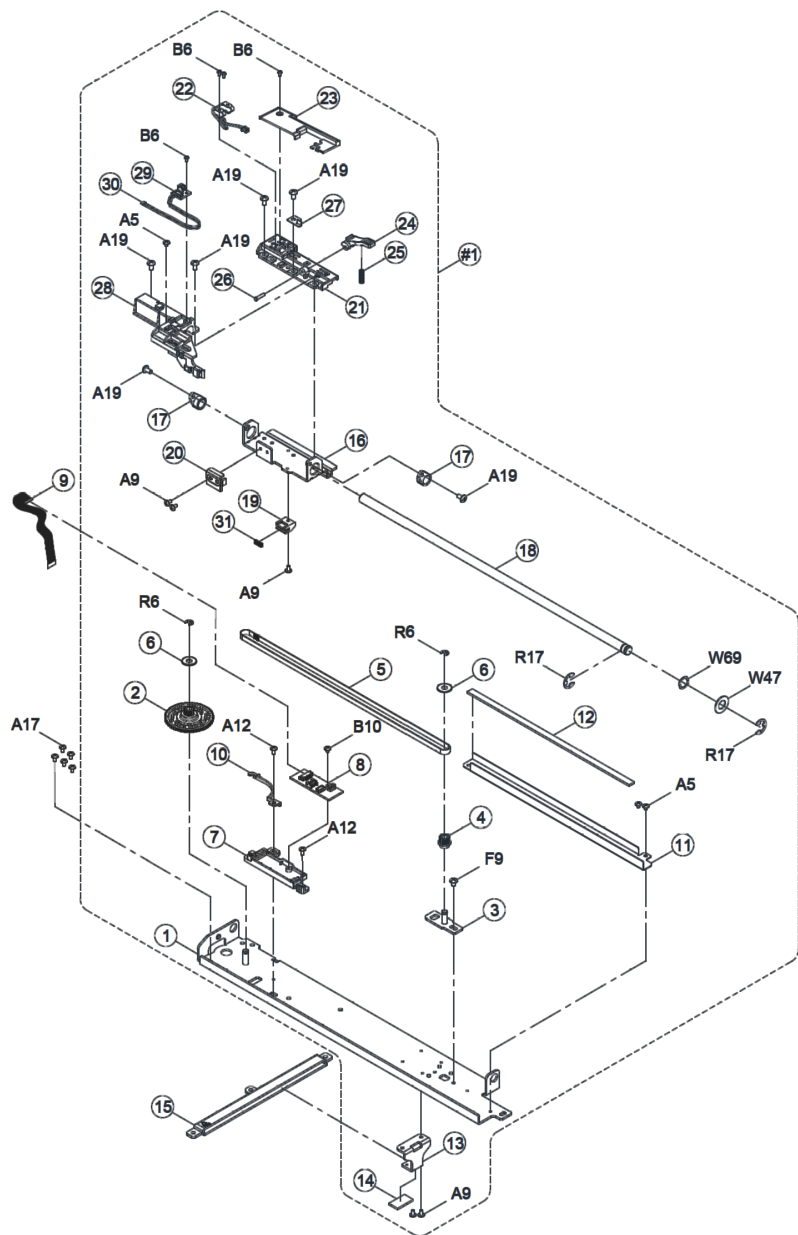
Y-Arm



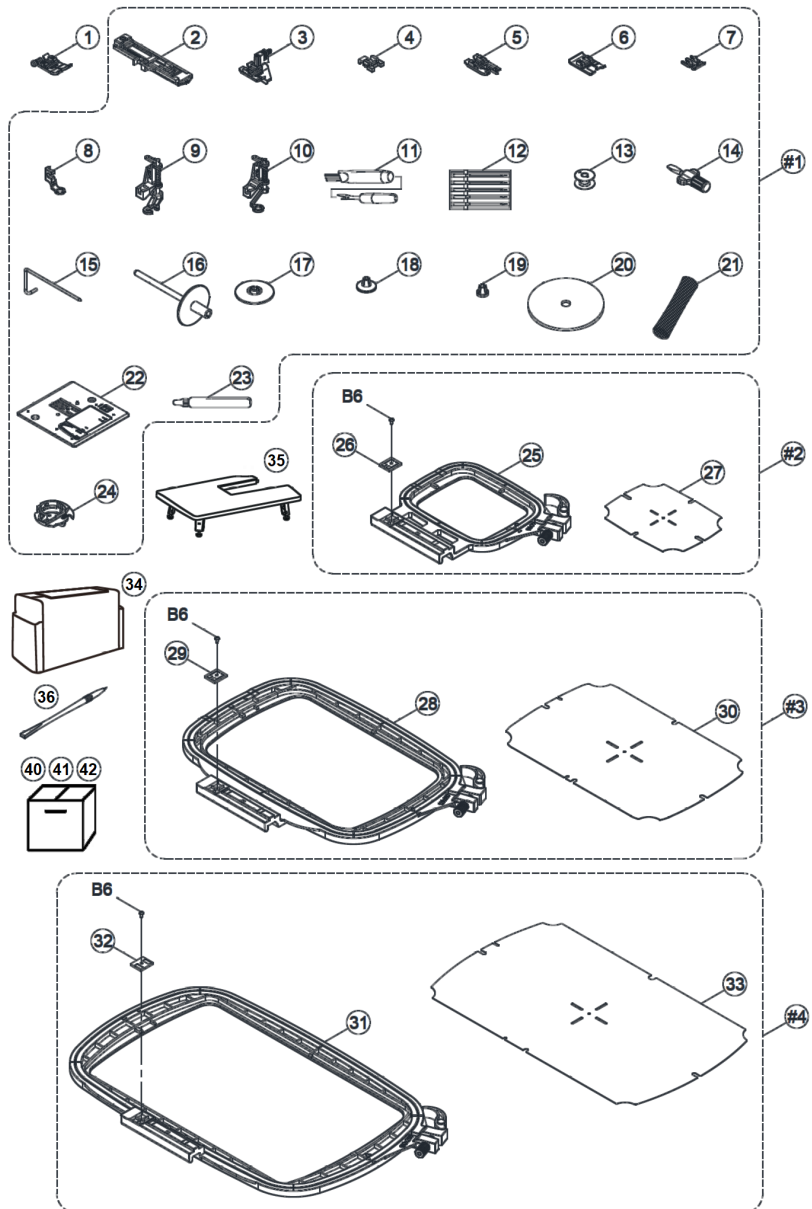
Pos	Item number	Description	Supplier Part no.
-4	5020209937	Y-Axial-Supporter-cpl	CJA0284000
-1	5020210484	Y Axial Supporter cpl	CJA0284000-01
1	5020209816	Y Axial Supporter	CJA0285000
2	5020209817	105 Teeth Gear	CJA0043000
3	5020209818	Pulley Adjustment cpl	CHA0115000
4	5020209820	TST Idler Pulley	CHA0133582
5	5020209821	Belt	007650S2M1
6	5020209822	Washer	CHA0143000
7	5020209823	Y Axial Sensor Plank	CHA0303892
8	5020209824	Photo Sensor cpl	008CHA0022
9	5020209826	Row Line (10 lead)	008CJA0037
10	5020209971	Gear Cover	CJB0653582
11	5020209827	Wiring Guard Plate	CJA0303000
13	5020209829	X Axial Slide Supporter	CJA0313002
14	5020209984	Felt	CJB0633000
15	5020209830	Slide Plate Holder	CJA0333000
16	5020209831	Y Axial Slide Plate	CHA0243000
17	5020209832	Y Axial Bushing	CHA0253000
18	5020209833	Y Axial Main Shaft	CJA0293002
19	5020209837	Hook Plate	CHA0263000
20	5020209838	Presser Plate	CHA0193000
21	5020209839	FRAME SUPPORTER	CHA0273000
22	5020209840	Spring cpl	008CHA0014
23	5020209970	Cover	CJB0643582
24	5020209842	FRAME FIXED POSITION BUTTON	H3B0463582
25	5020209843	Spring	CHA0333003
26	5020209844	FRAME FIXED POSITION SHAFT	H3B0483002
27	5020209845	Plate	CHA0293006
28	5020209846	Y AXIAL WIRING GUIDER	CJA0323582
29	5020209847	Converter Board	008CHA0016
30	5020209848	Row line (4 lead)	008CJA0026
A5	5020209828	Screw(M3*0.5*4A)	0042300066
A9	5020206545	Screw (M3*0.5*L6)	004230016
A12	5020209808	Set Screw (M3*0.5*L8)	0042300126

b79

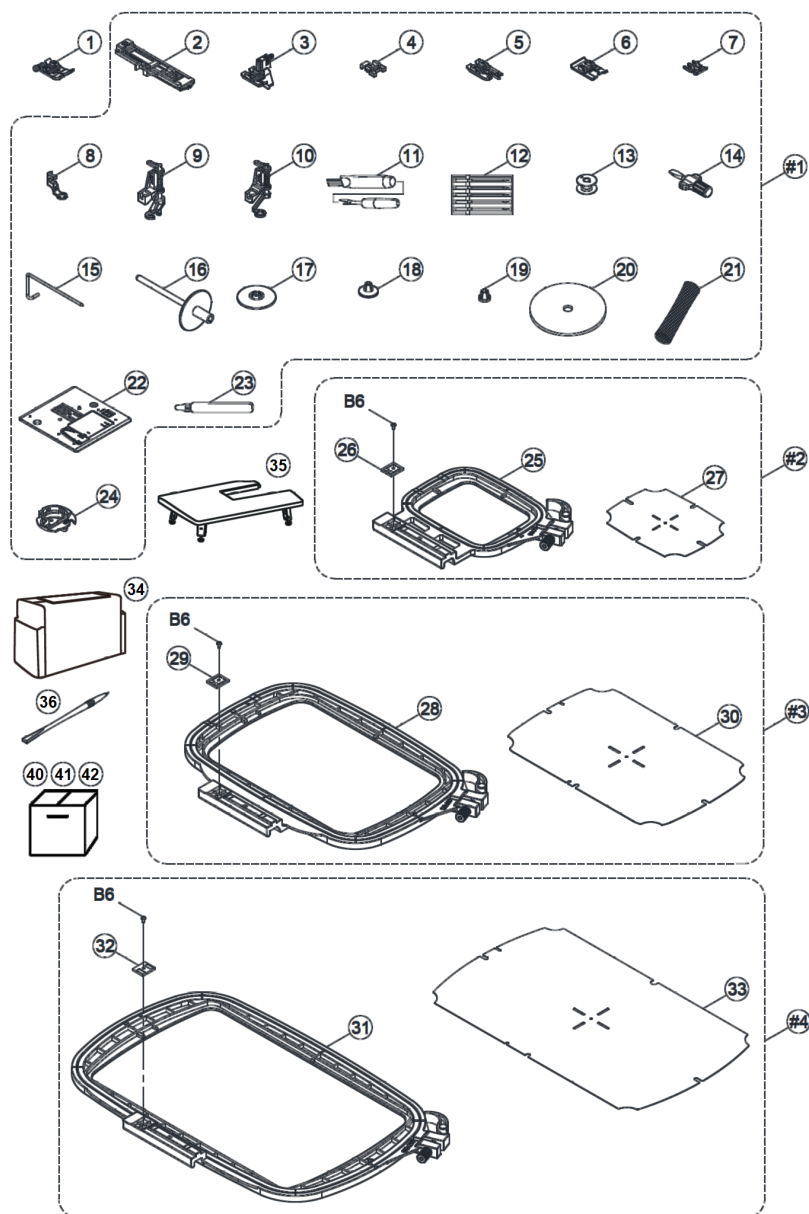
Y-Arm



Pos	Item number	Description	Supplier Part no.
A19	5020206112	Screw (M4*0.7*L8)	004240106
B6	5020209859	Screw (M2.5*0.45*L5)	004225096
B10	5020209825	Screw (M3*0.5*L6)	004230082
F9	5020208929	Screw (M4*0.7*L8) (SET OF 10)	004240586
R6	5020207868	E-Ring (ETW-4, □4*□9*0.6)	003010043
R17	5020209836	E-Ring (ETW-9, □9*□18*0.8)	003010093
W47	5020209835	Washer	0043002703
W69	5020209834	P17 Spring Washer	004500500

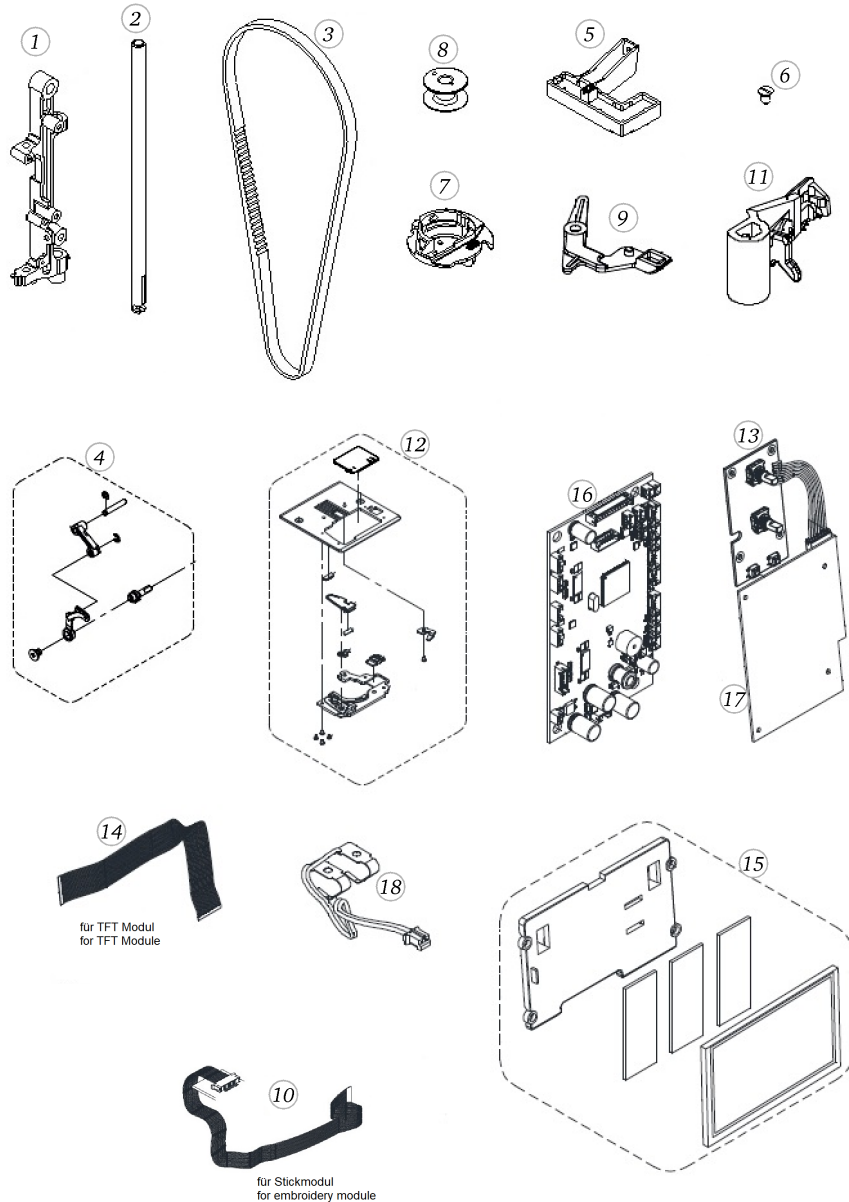


Pos	Item number	Description	Supplier Part no.
-1	5020210448	Standard accessories b79 cpl	006CJB0001
-2	5020209316	Embroidery Hoop Set (50x70)	CJBA105582
-3	5020209317	EMBROIDERY HOOP SET (120x180)	CJBA115582
-4	5020209318	EMBROIDERY HOOP SET (160x260)	CJBA125582
1	5020209289	Zigzag foot	U2-FS3-051
2	5020209298	Buttonhole foot with slide	U2-FS3-060
3	5020209301	Blindstitch foot	U2-FS3-063
4	5020209291	Button-sew-on foot	U2-FS3-053
5	5020209297	Overlock foot	U2-FS3-059
6	5020209299	Embroidery foot	U2-FS3-061
7	5020209290	Zipper foot	U2-FS3-052
8	5020209303	Embroidery foot	U2-FS3-065
9	5020209300	Darning-/Embroidery foot	U2-FS3-062
10	5020209326	Hopper embroidery foot	U2-FS3-070
11	5020209307	Brush & seam ripper	0060A13003
12-1	0025077102	Needle Set 130/705 H Packed ASS 70-90 (5)	
12-2	0025117110	Needle set 130/705 H SUK ASS 70-90 (5)	
13	5020209311	BOBBINS 10 PCS. PACKED	U2-FS3-069
14	5020209850	SCREWDRIVER	0060A13001
15	5020209851	SEAM GUIDE	0060A13002
16	5020209852	SPOOL ROD	CJBY013892
17	5020207650	SPOOL SET PLATE	H1D0083892
18	5020209309	Spool disc medium	006D6B0020
18	5020210382	Spool disc medium	CJBY063892
19	5020205927	Spool Holder Small	TA10943892
20	5020209312	SPOOL PIN FELT	006D6B0016
21	5020207937	Thread Net	006R1A0032
22	5020209314	Straight needle plate cpl	CJBA144000
23	5020601152	OIL	741814003
24	5020209982	Bobbin case (HTTBC in bubble wrap)	CJB0794000
24	5020209917	Bobbin case (HTTBC)	CJB0674000
25	5020209856	EMBROIDERY HOOP (50x70)	CHAY046582
26	5020209857	RESISTANCE BOARD (50x70)	008CJB0021
27	5020209858	Embroidery Template (50X70)	CJBA103031



Pos	Item number	Description	Supplier Part no.
28	5020209860	EMBROIDERY HOOP (120x180)	CHAY026582
29	5020209861	RESISTANCE BOARD (120x180)	008CHA0039
30	5020209862	Embroidery Template (120X180)	CJBA113031
31	5020209863	EMBROIDERY HOOP (160x260)	CJAY016582
32	5020209864	RESISTANCE BOARD (160x260)	008CHA0040
33	5020209865	Embroidery Template (160X260)	CJBA123031
34	5020209321	DUST COVER	CJBL014582
35	5020209319	EXTENSION TABLE	CJBY024892
36	5020209320	Touchscreen Pen	S2A0083698
40	5020209287	Color carton b79	027CJB0315
41	5020209968	Face plate Styrofoam	025CJB0015
42	5020209935	Polyform b70/79	025CJB0001
B6	5020209859	Screw (M2.5*0.45*L5)	004225096

b79



Recommended Spare Parts

Pos	Item number	Description	Supplier Part no.
1	5020209553	NEEDLE BAR SUPPORTER	CJA0553000
2	5020209554	NEEDLE BAR	CJB0473000
3	5020209482	MOTOR DRIVE BELT	00751602M5
4	5020209492	Thread Take-Up Lever cpl	Q6D0364000
4	5020210408	THREAD TAKE-UP LEVER CPL.	CJB0094000
5	5020209659	LED cpl. with cover	CJB0065000
6	5020205866	Set Screw (M4X6)	004240851
7	5020209511	Bobbin case	CJA0244000
8	5020208181	Bobbin 1 Pc Unpacked	006H1B0001
8	5020209311	BOBBINS 10 PCS. PACKED	U2-FS3-069
9	5020209456	Feed Dog Lever	CJA1053000
10	5020209826	Row Line (10 lead)	008CJA0037
11	5020209565	THREADING PLATE CPL.	CJB0505429
12	5020209918	Needle Plate b77/b79	CJBA014000
13	5020209403	XY Needle Displacement Board	008CJB0006
14	5020209398	FPC Line	008CJB0004
15	5020209981	TFT Module cpl	CJB0785000
16	5020209762	Main PCB	008CJB0001
17	5020209399	I/O Board b79	008CJA0016
18	5020209840	Spring cpl	008CHA0014

b79



Optional Accessories

Pos	Item number	Description	Supplier Part no.
01	5020209292	Gathering foot	U2-FS3-054
02	5020209293	Patchwork foot	U2-FS3-055
03	5020209294	Straight-stitch foot	U2-FS3-056
04	5020209295	Hemmer foot	U2-FS3-057
05	5020209296	Cording foot	U2-FS3-058
06	5020209302	Open embroidery foot	U2-FS3-064
07	5020209304	Zigzag foot with non-stick sole	U2-FS3-066
08	5020209305	Invisible-zipper foot	U2-FS3-067
09	5020209364	Zigzag Foot	U2-FS3-071
10	5020210388	Ruler foot	U2-FS3-093
11	5020209322	CutWork Tool	U2-FS3-072
12	5020210391	Universal presser foot holder	U2-FS3-110
13	0308955004	carrying Bag EMB bernette black L	
14	5020209306	Presser foot set b77/b79	U2-FS3-050
15	5020210392	Presser foot set b77/b79 decoration	U2-FS3-111
16	5020210399	Snap Hoop Monster bernette 100x100	
17	5020210397	Snap Hoop Monster bernette 130x180	
18	5020210398	Snap Hoop Monster bernette 140x260	
19	5020079001	Instr.book b79 DE	
20	5020079004	Instr.book b79 EN	
21	5020210401	Resistor board (100x100)	008CJB0032
22	5020210402	Resistor board (130x180)	008CJB0033
23	5020210400	Resistor board (140x260)	008CJB0031
24	5020210444	DIME Ruler sticker (Replacement)	
25	5020210494	Stitch spacer and suede cloth (224x4x1)	CBSS224